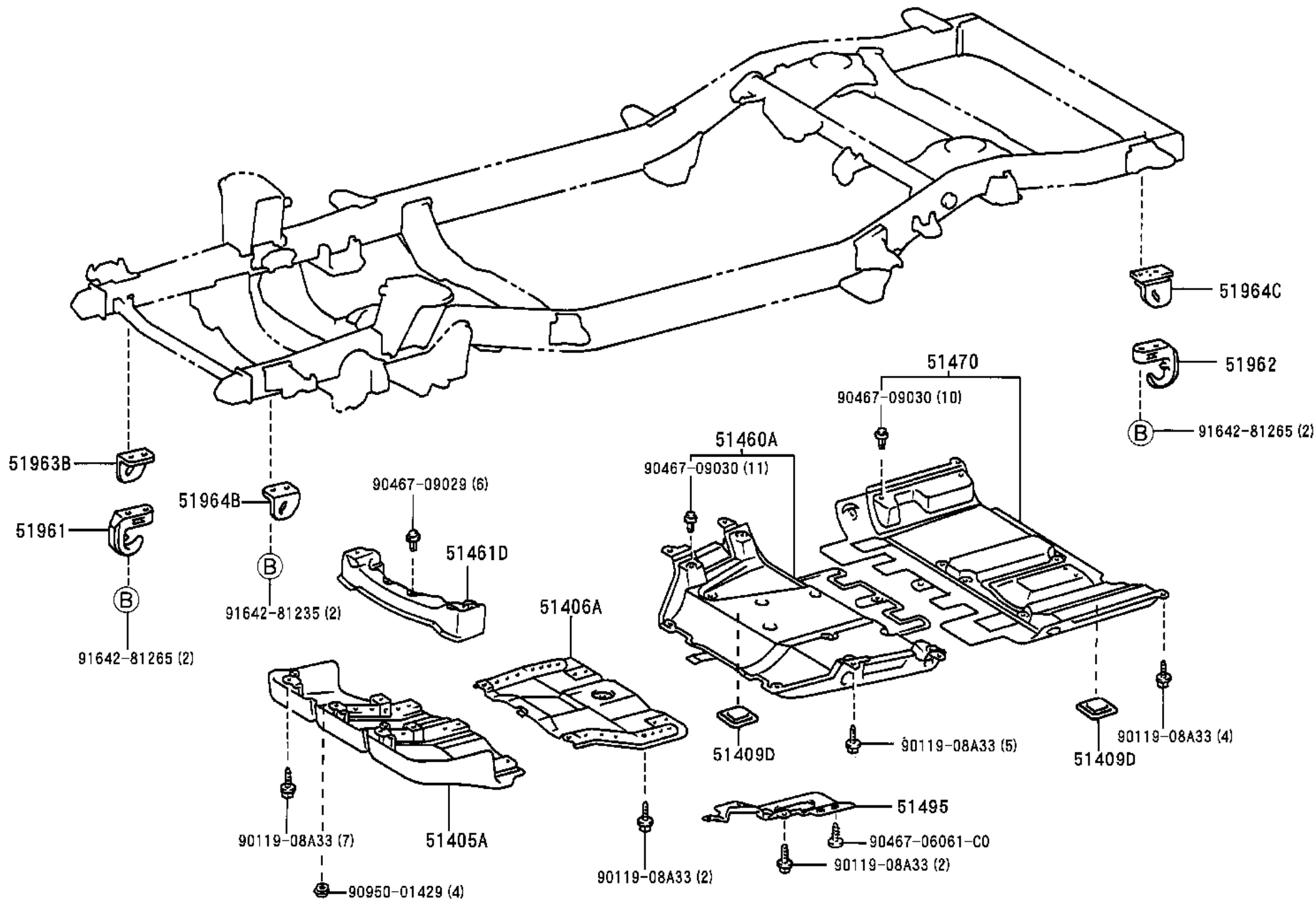
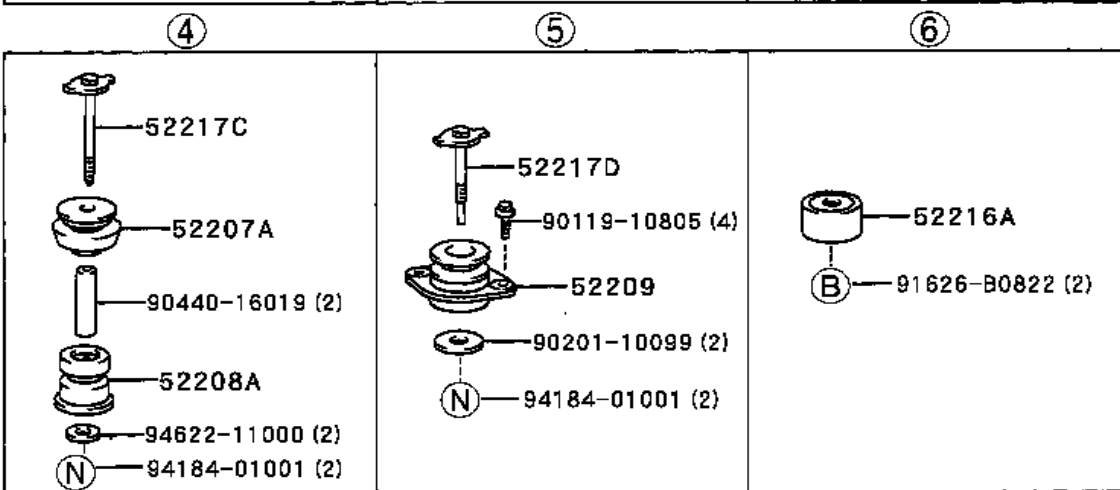
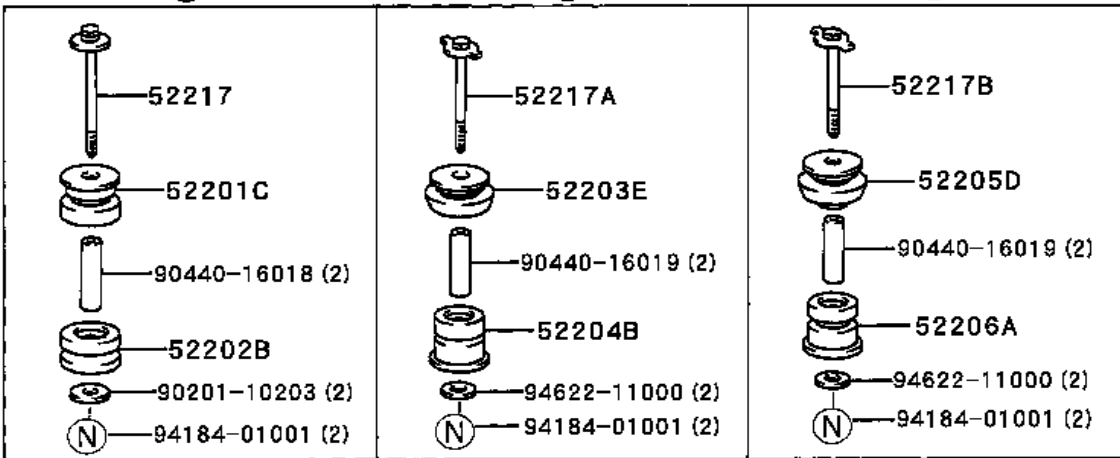
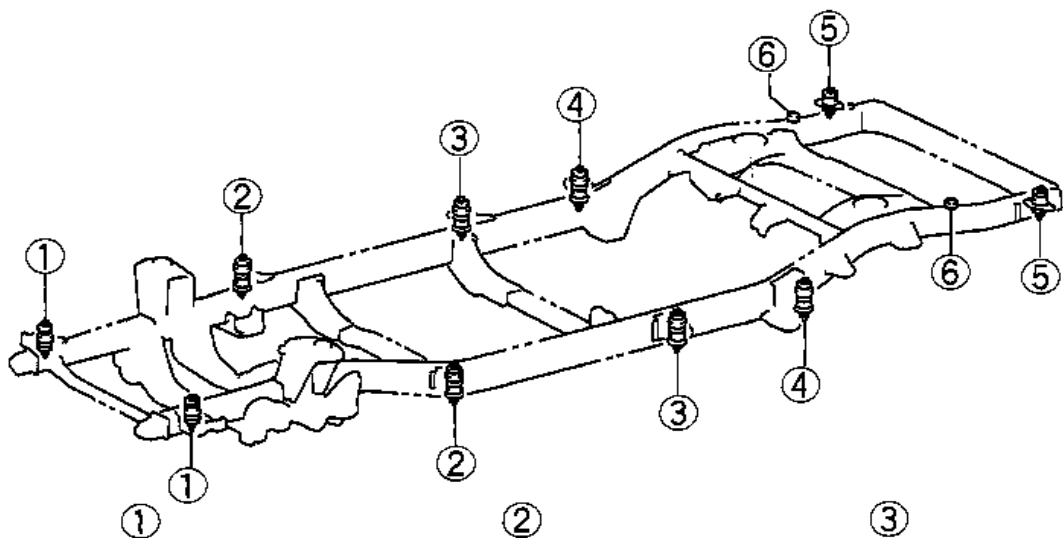
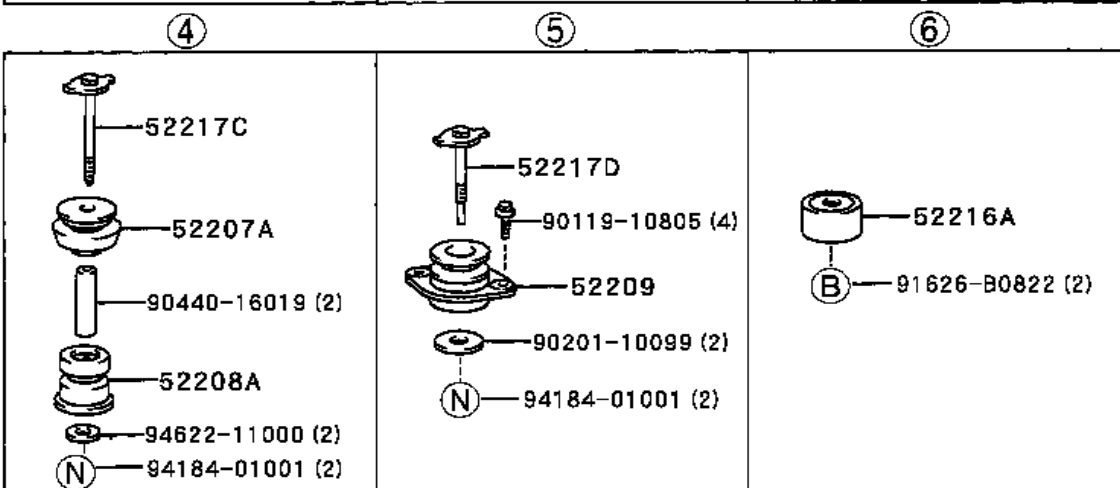
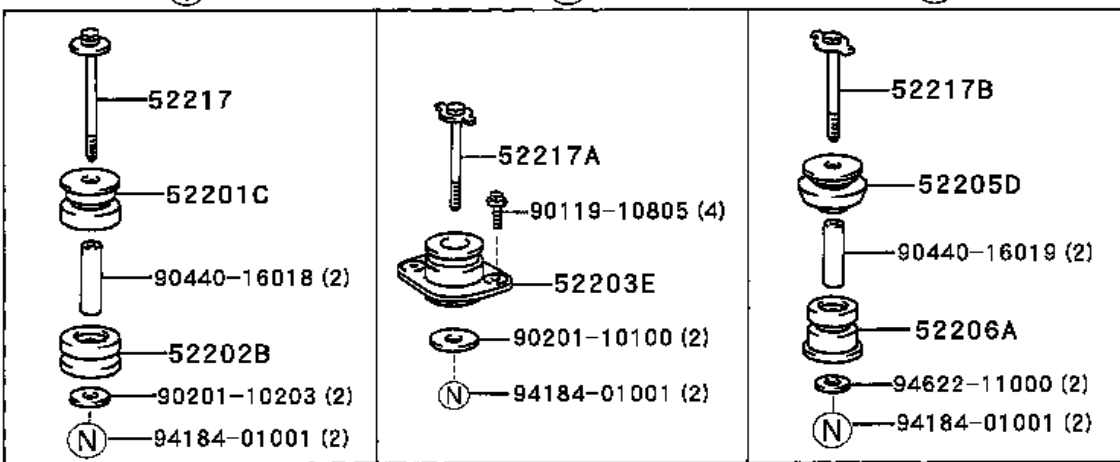
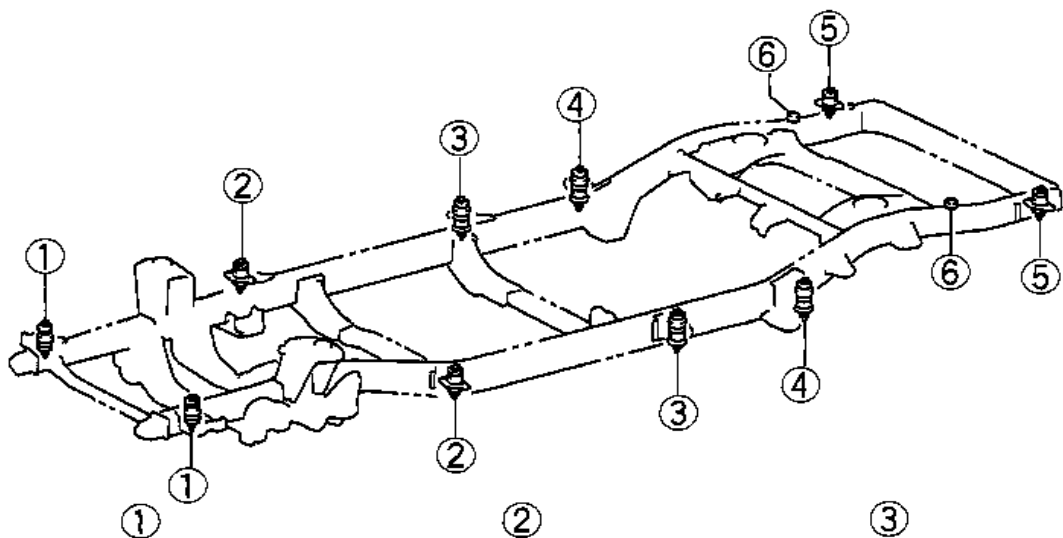
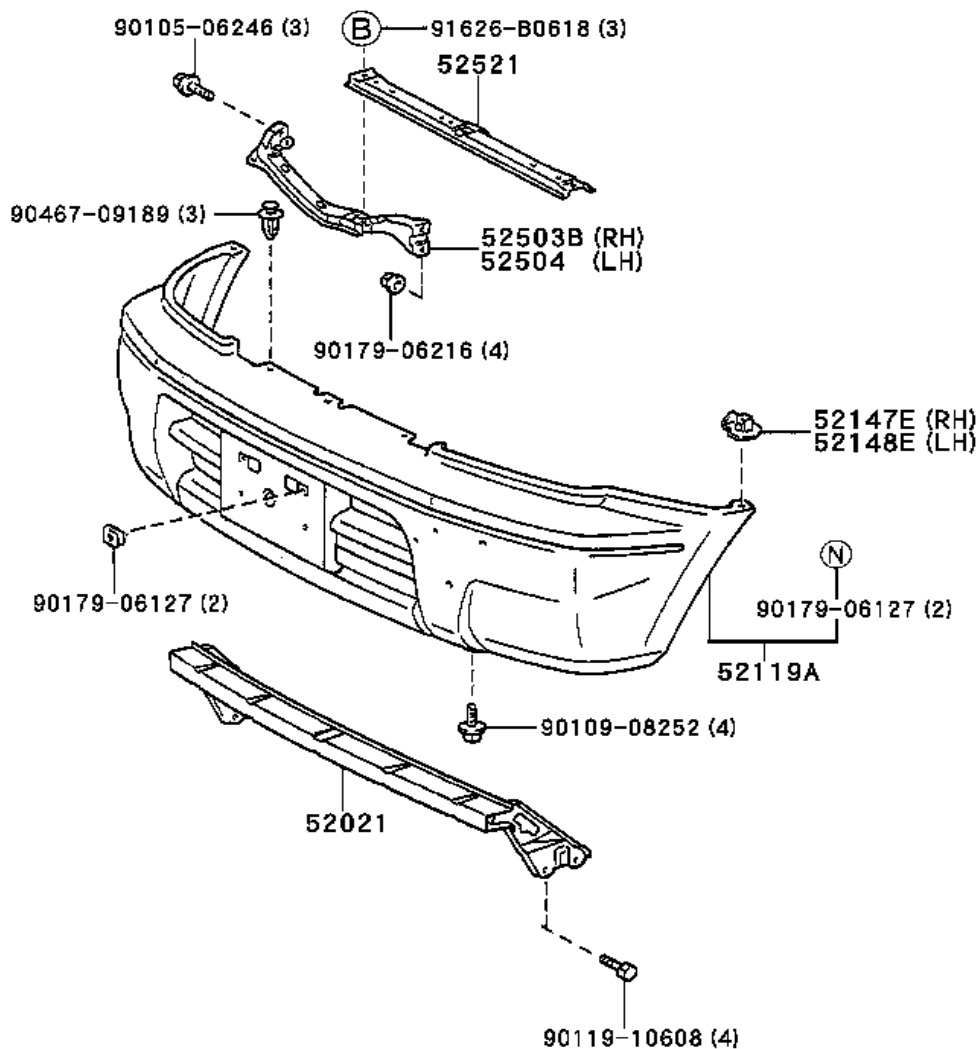


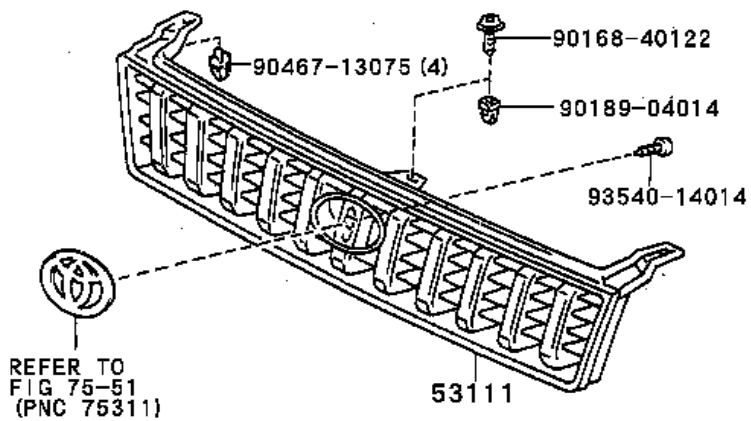
510002-C



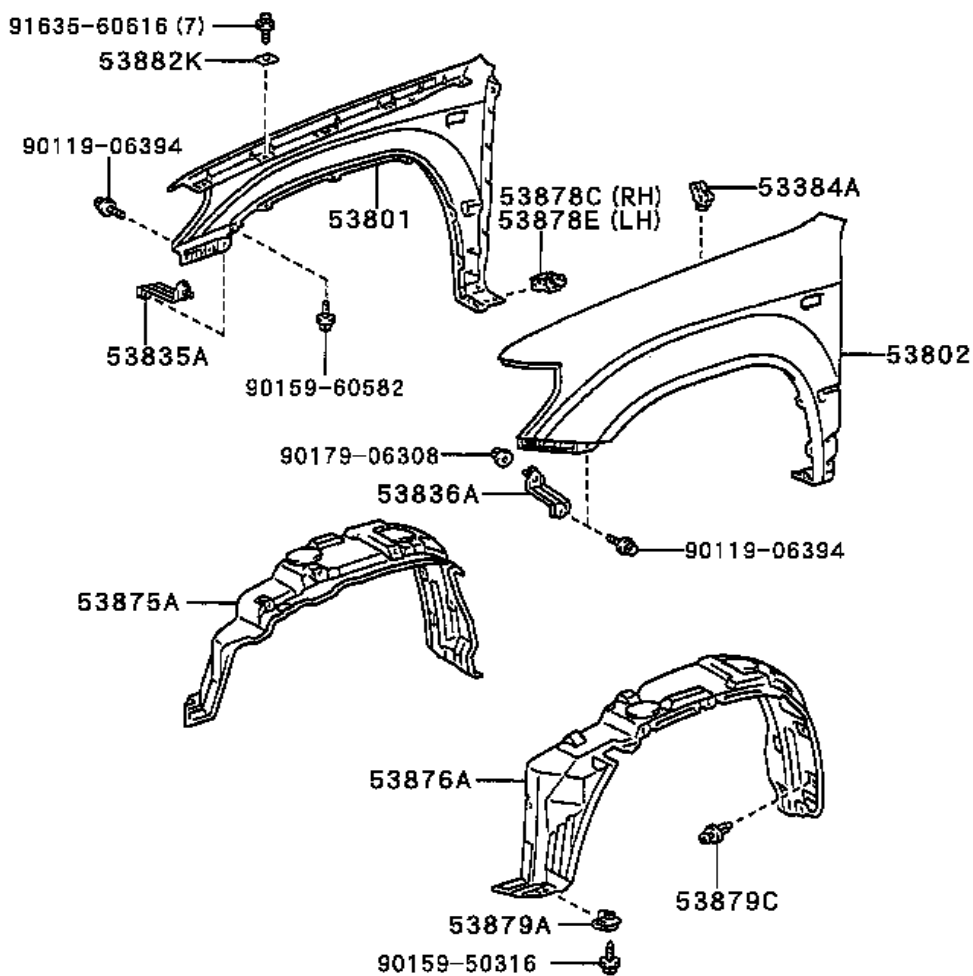
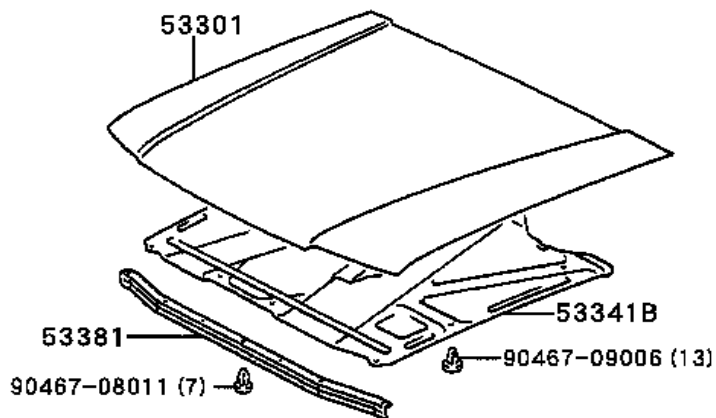


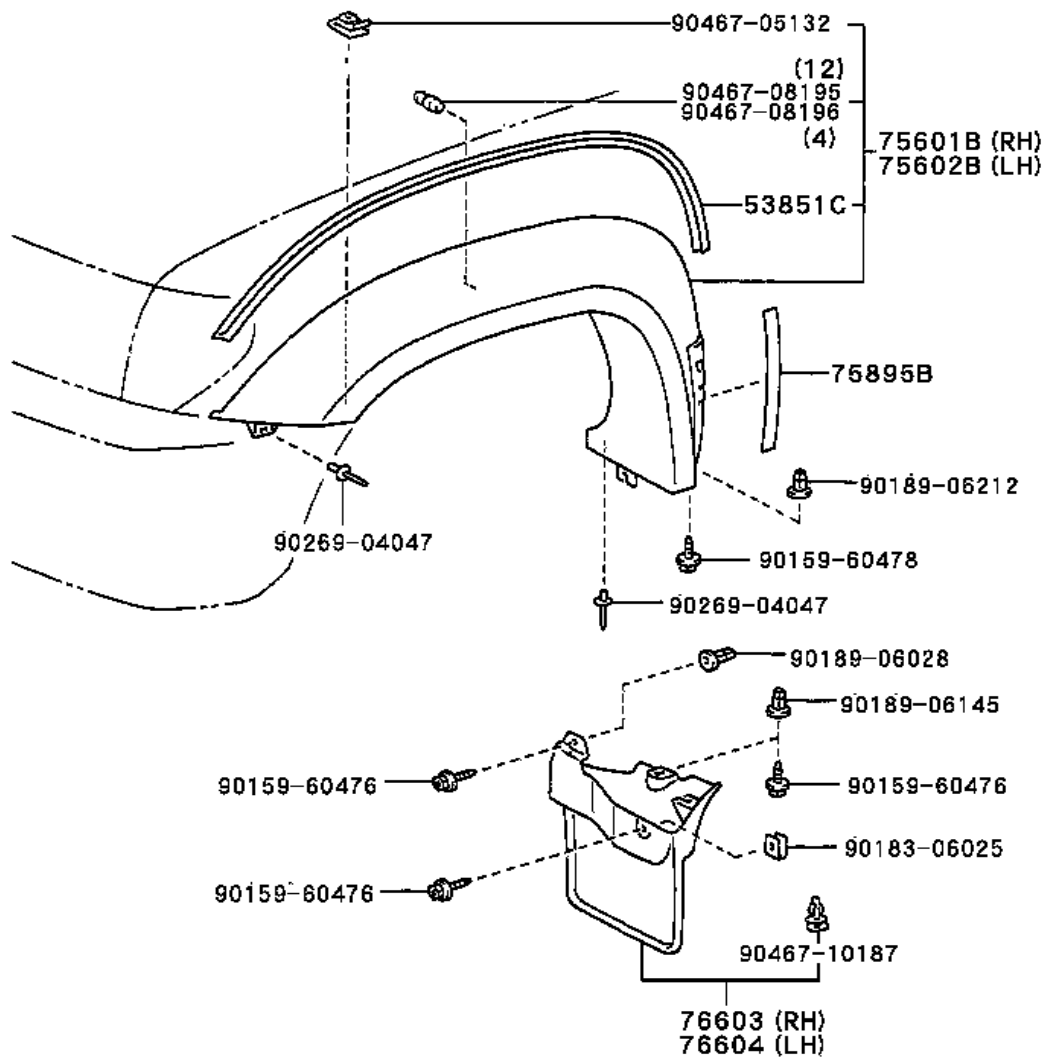




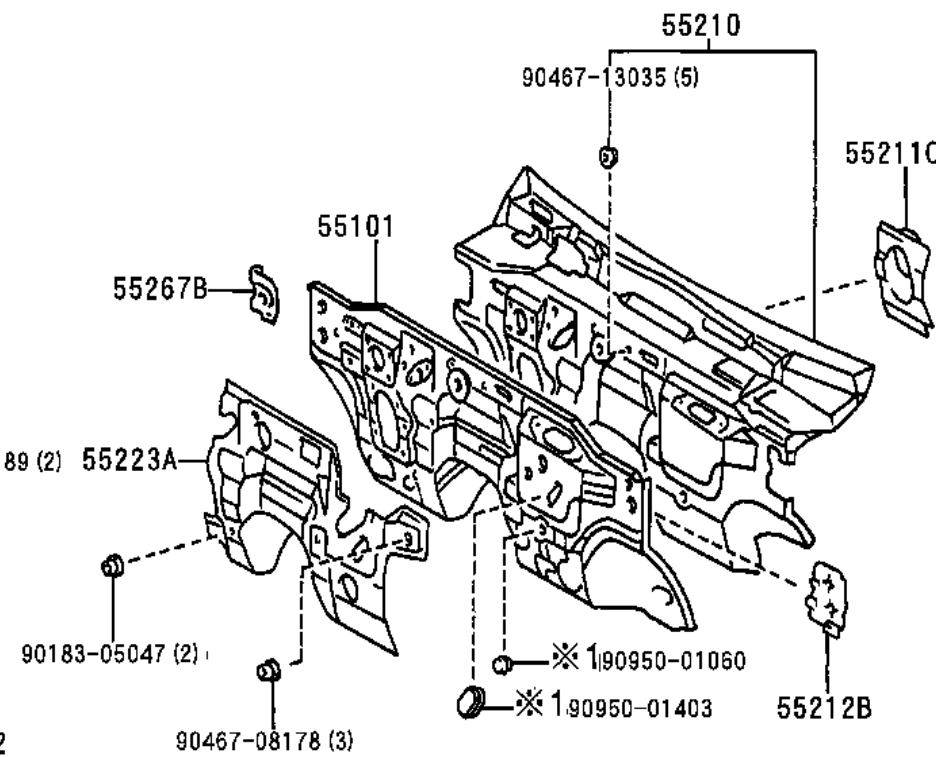
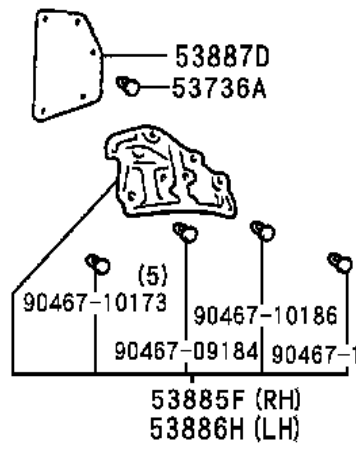
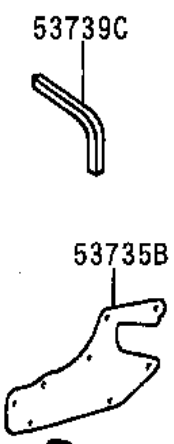
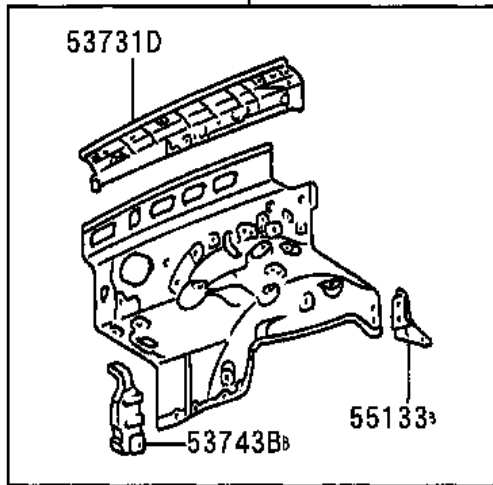


530005A



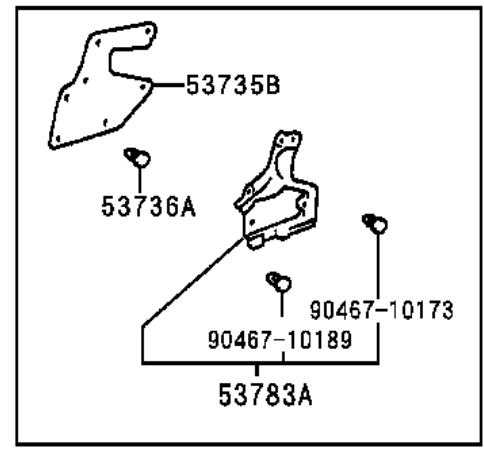


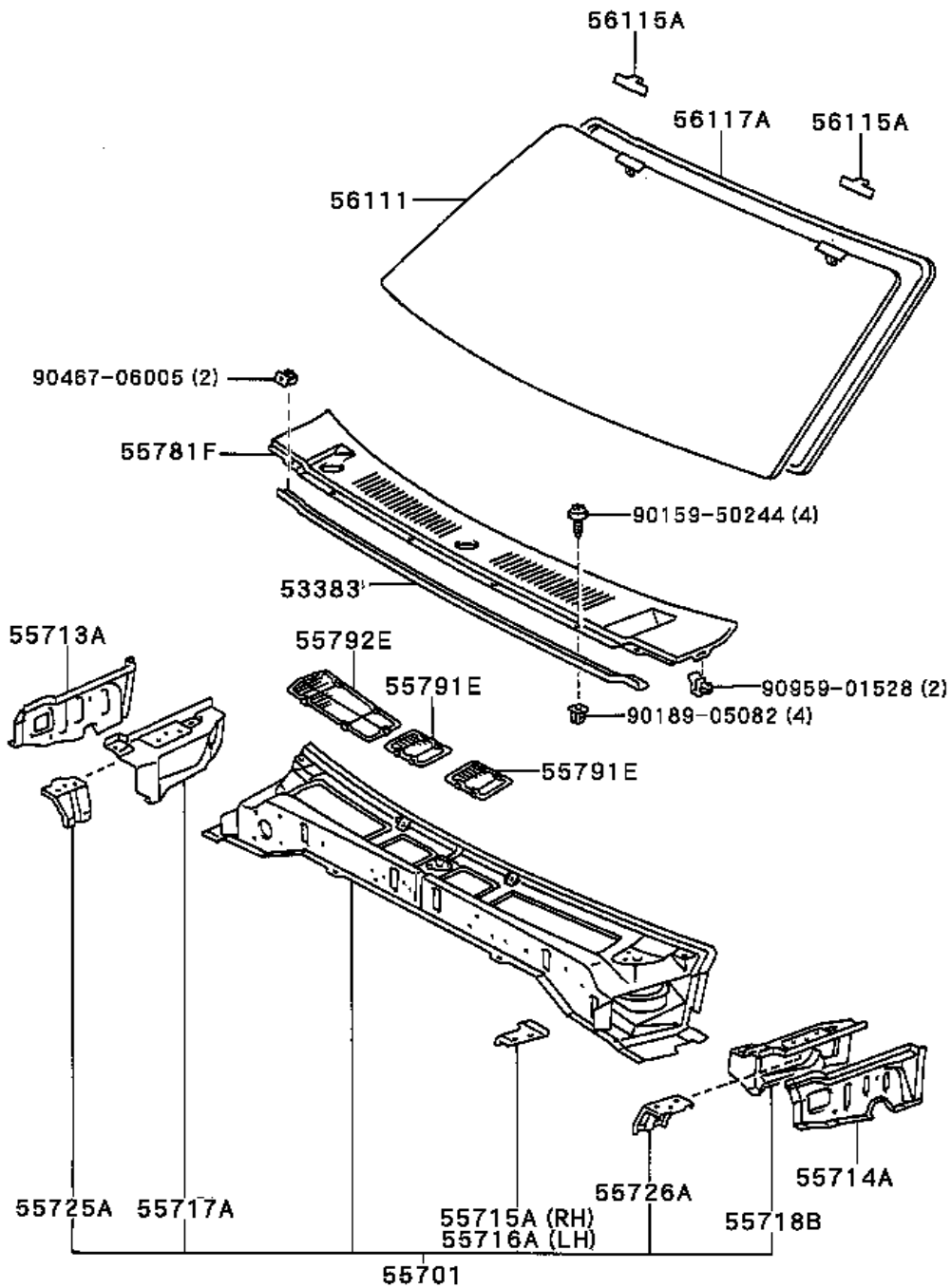
53701

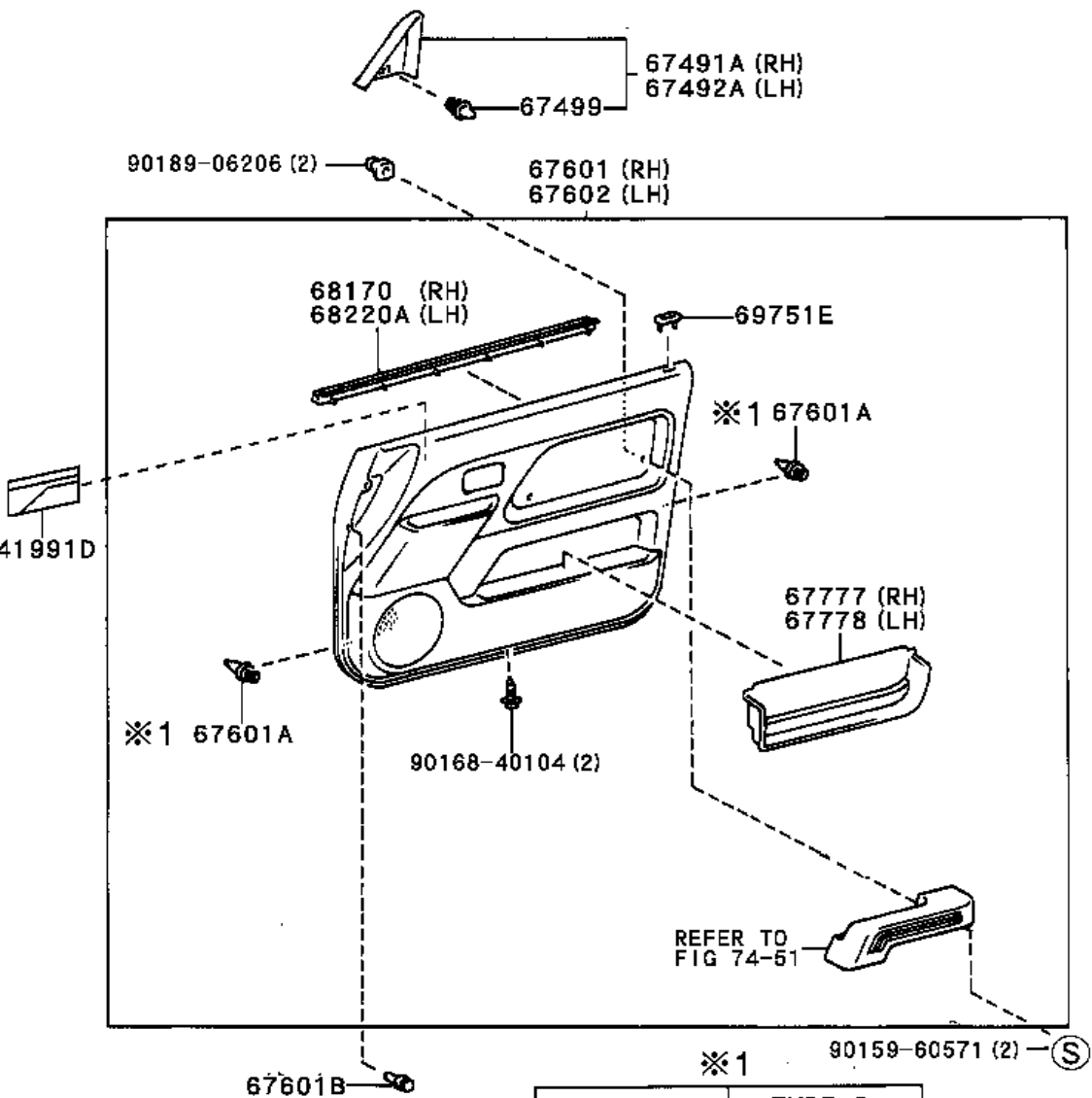




※1w/O (EIRCON)

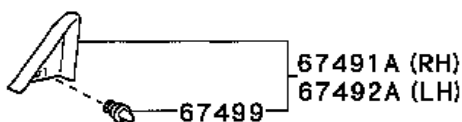
W (HEADLAMP CLEANER)







TYPE A (GREEN, RED)	TYPE B (YELLOW)
	

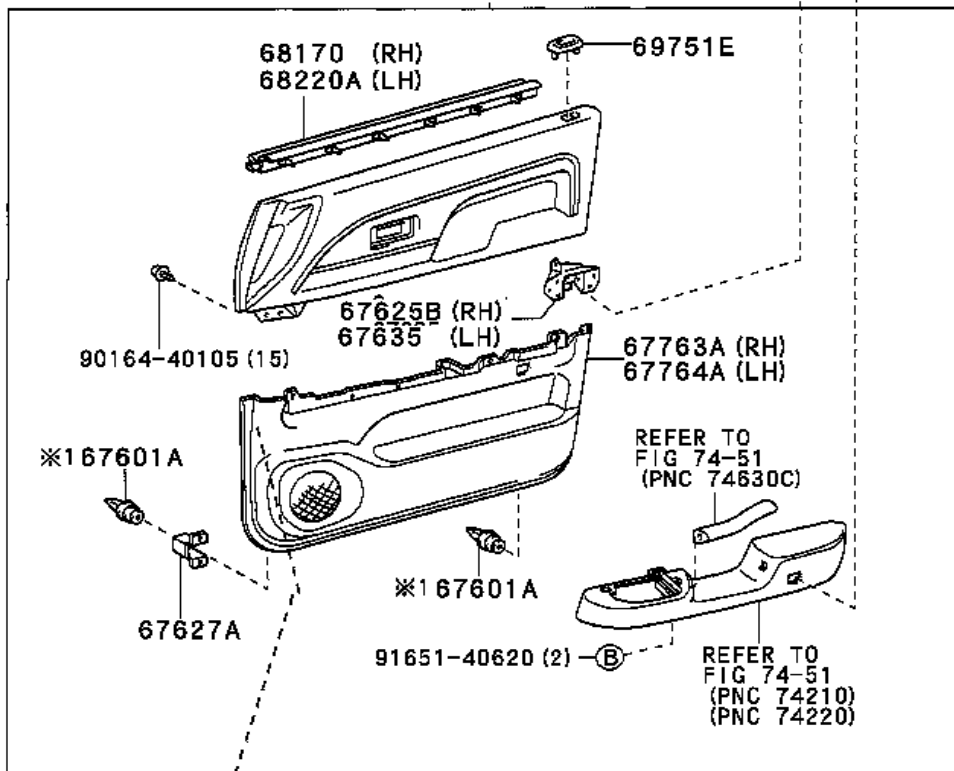


90189-06206

90159-60591 (4)

74237C

67601 (RH)
67602 (LH)



67601B

90189-06217 (4)

67624B

90159-60591 (4)

※1

TYPE A (RED)	TYPE B (YELLOW)
 14	 16.5

68101 (RH)
68102 (LH)

68141E (RH)
68151E (LH)

67403F (RH)
67404F (LH)

90901-19029 (2)

90333-35004 (2)

67001 (RH)
67002 (LH)

62367C

67111 (RH)
67112 (LH)

90333-25001 (2)

REFER TO
FIG 64-51

90179-06070 (4)

68610B (RH)
68620 (LH)

90333-35004 (2)

90153-80002 (2)

90541-09006 (4)

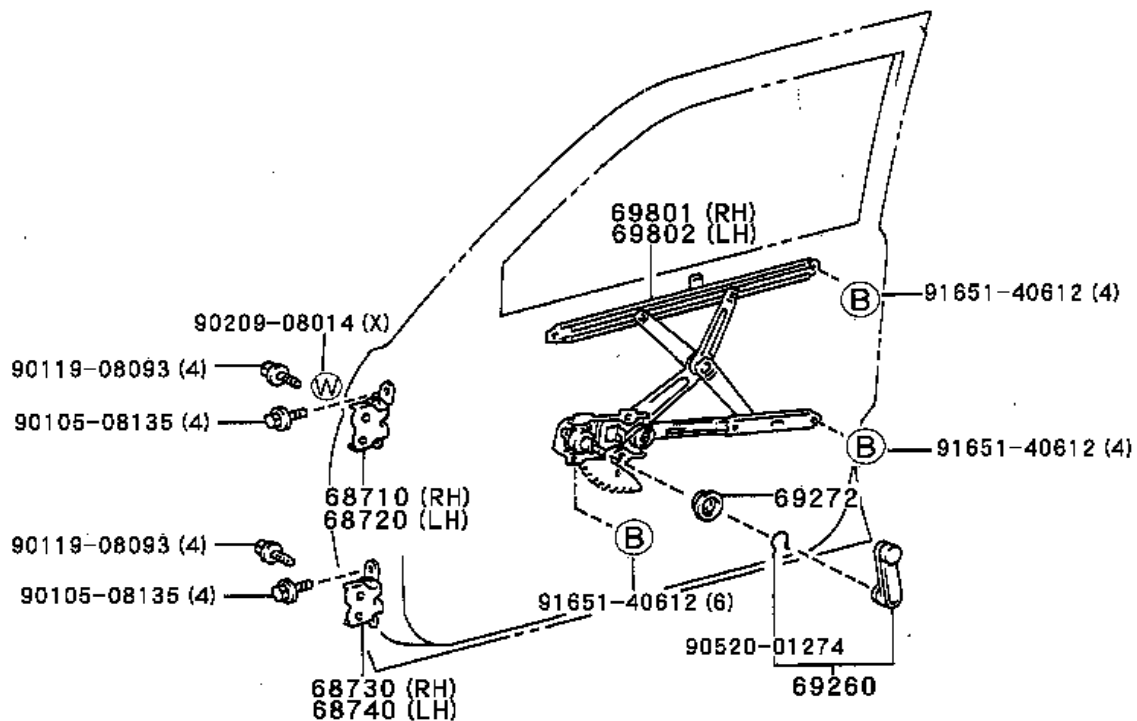
67867C (RH)
67868C (LH)

67861 (RH)
67862 (LH)

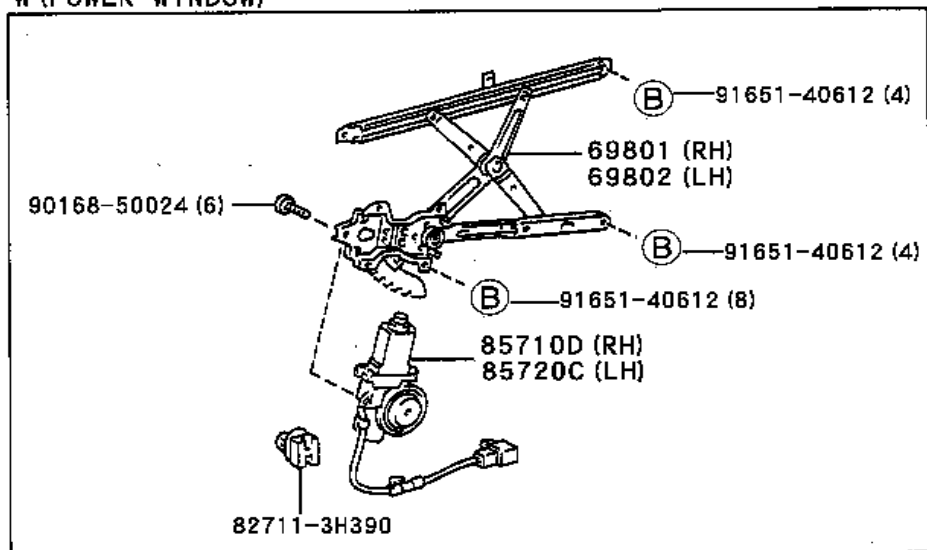
67831 (RH)
67832 (LH)

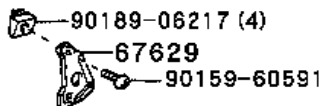
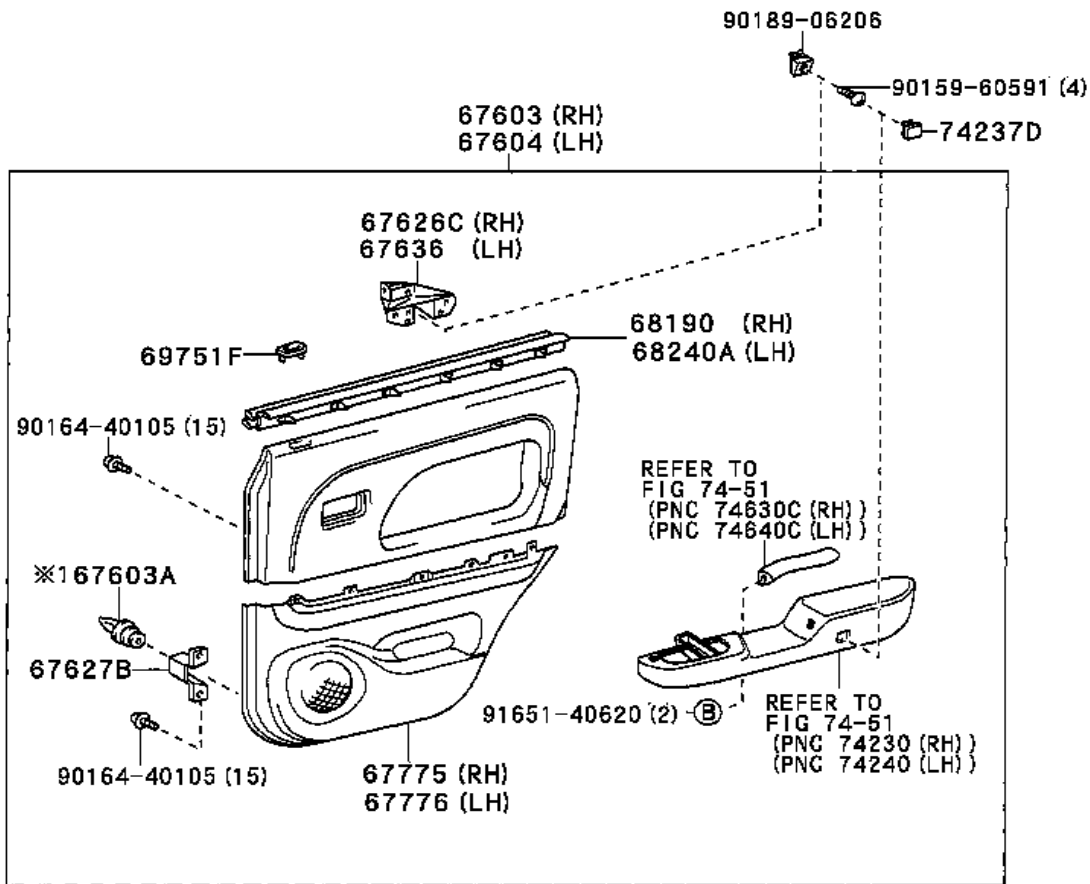
90467-09177 (11)

TRIM CODE	VARIATION NAME		DESCRIPTION	
	SEAT	DOOR TRIM	SEAT 71-51	DOOR TRIM 67-51, 55 74-51
FA** FB** FL** FM**	BK2	CK1	TYPE A	
FC** FE** FN** FP**	BK3	CK2 CK3	TYPE B	
LA** LE**	BK1	CK1	TYPE C	
LB** LC**	BK5	CK4	TYPE D	


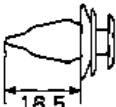


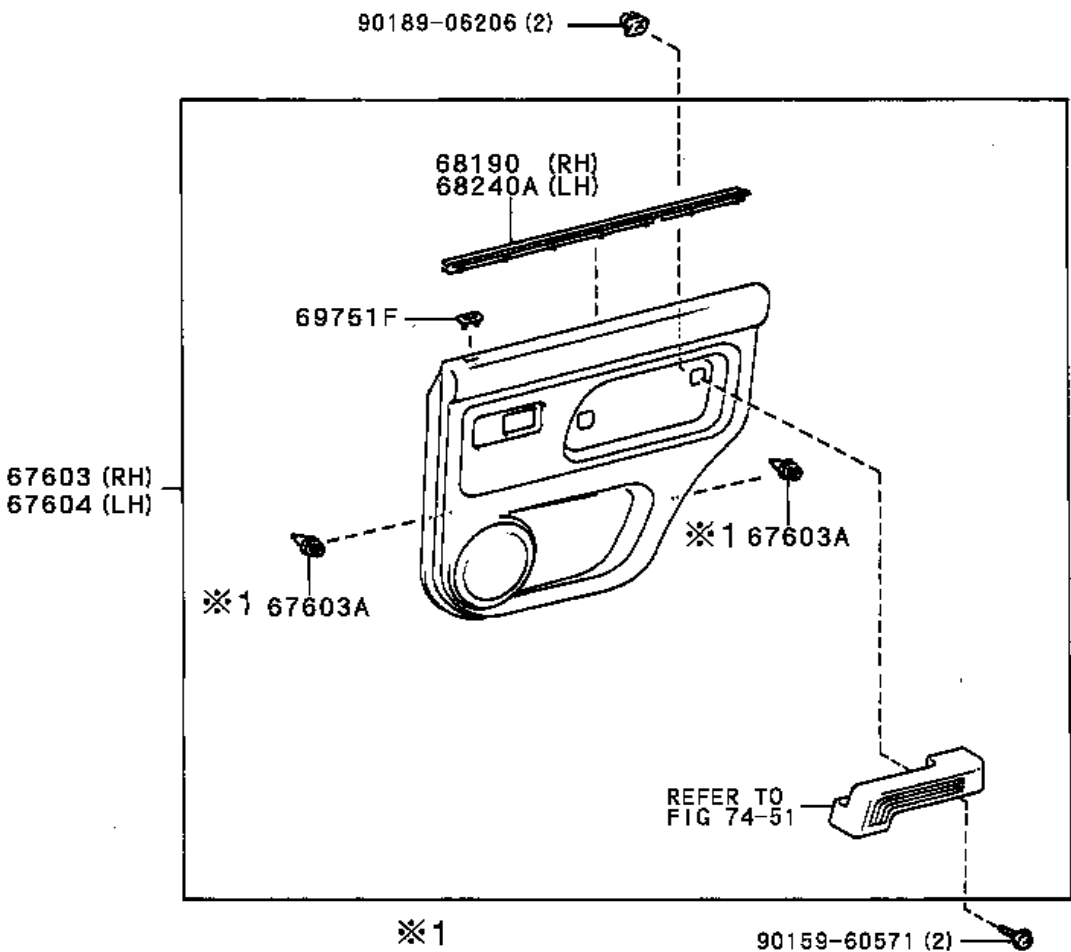
W (POWER WINDOW)





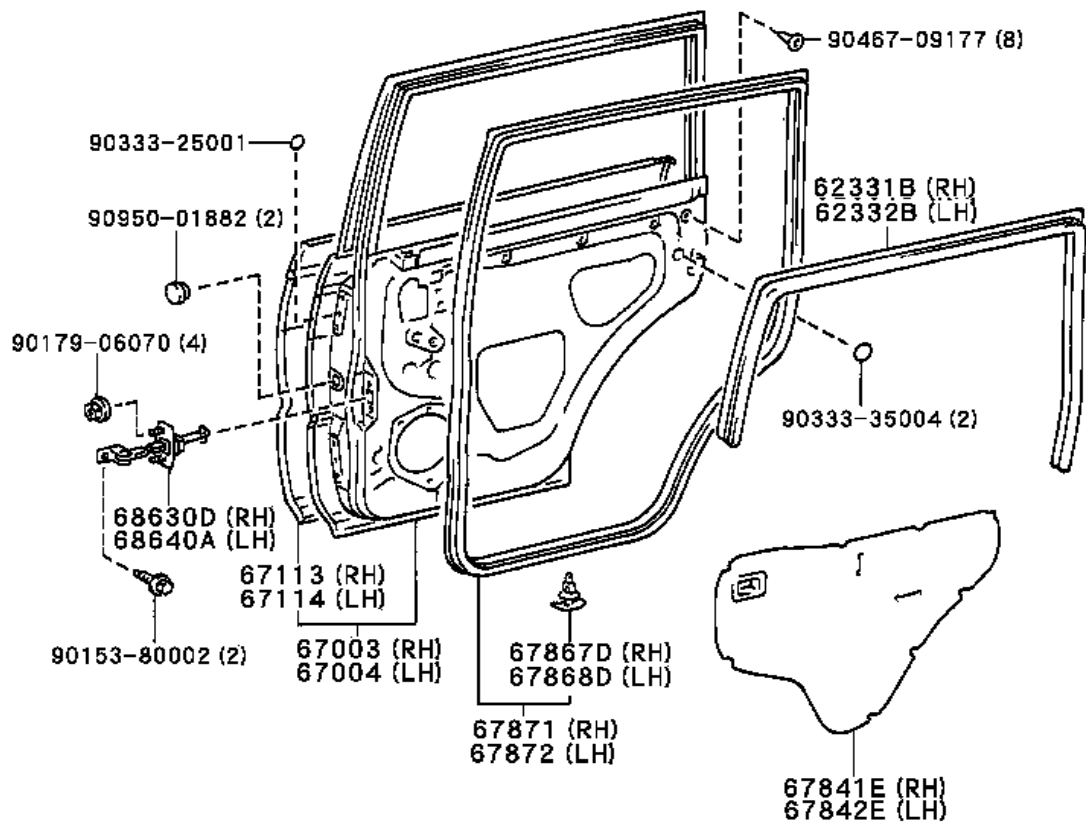
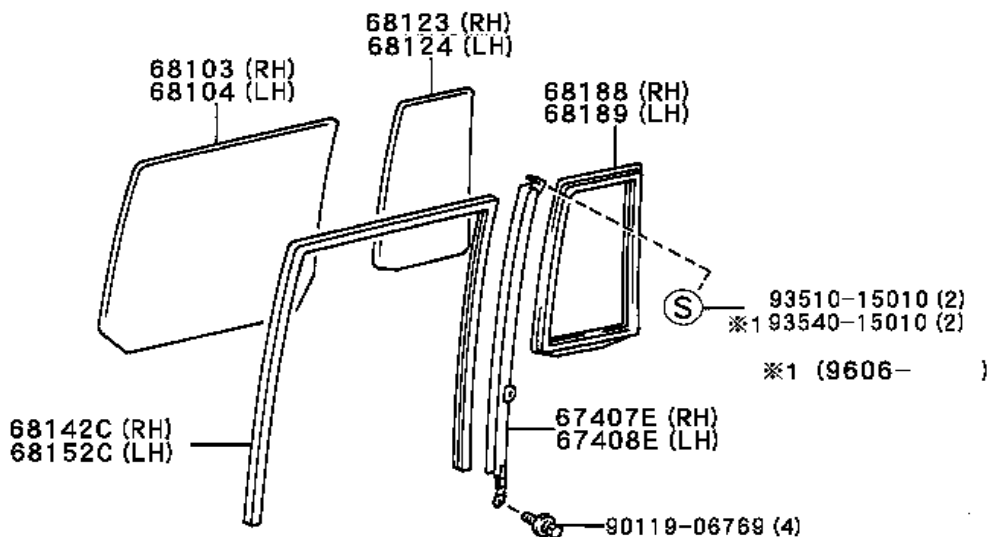
※1

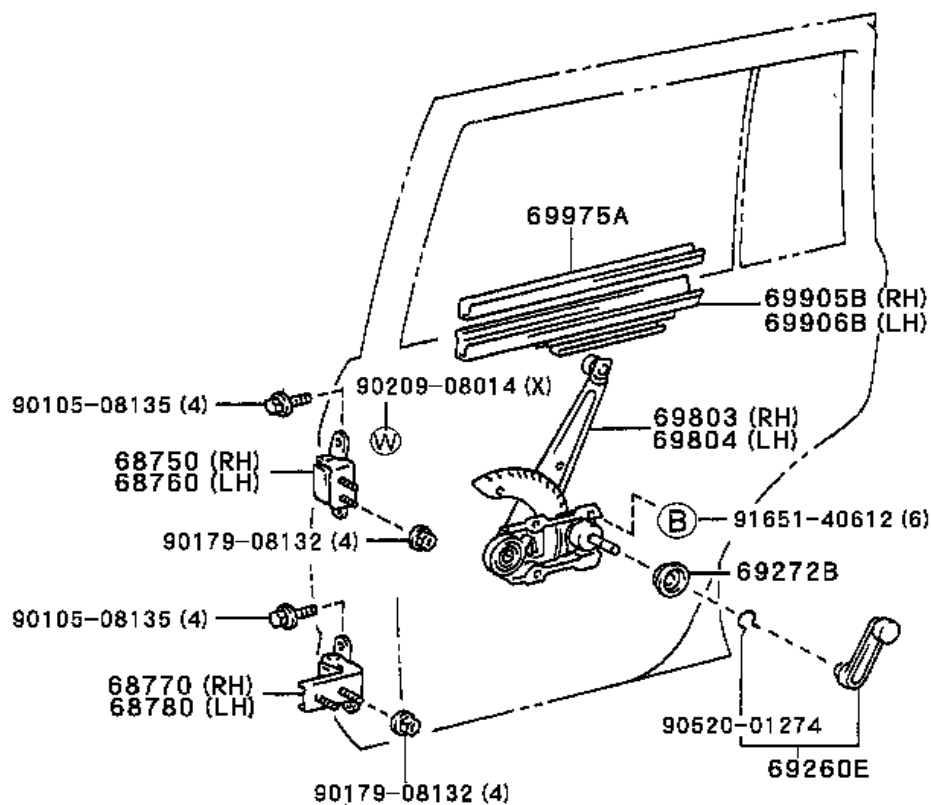
TYPE A (RED)	TYPE B (YELLOW)
	
14	18.5



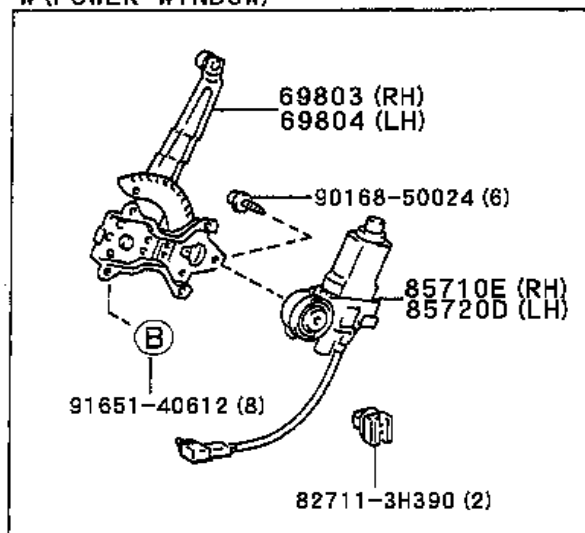
*1

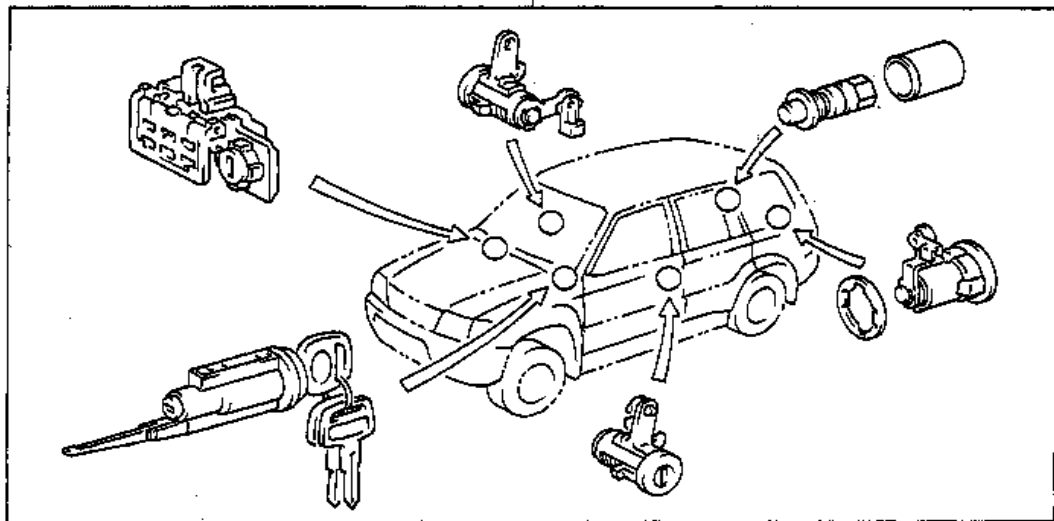
TYPE A (GREEN, RED)	TYPE B (YELLOW)
<p>14</p>	<p>16.5</p>





W (POWER WINDOW)

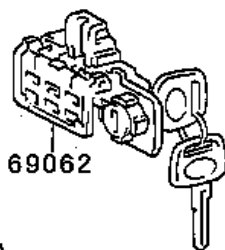




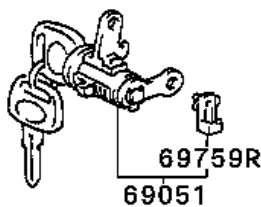
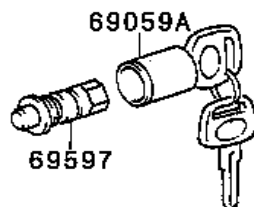
①

②

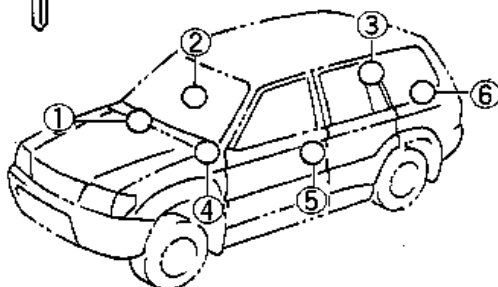
③



69062

69759R
6905169059A
69597

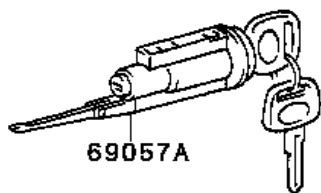
69503A



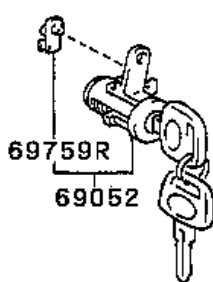
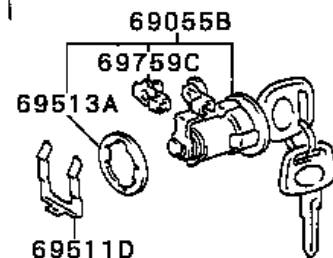
④

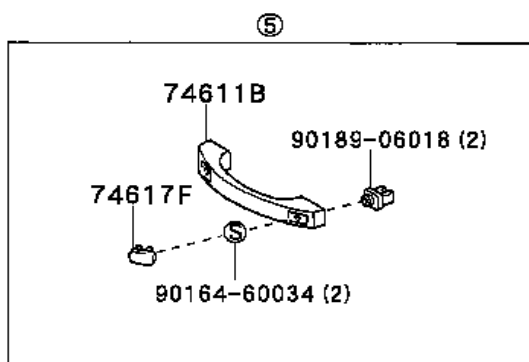
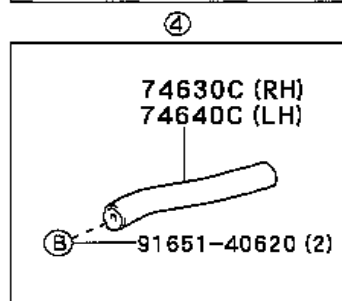
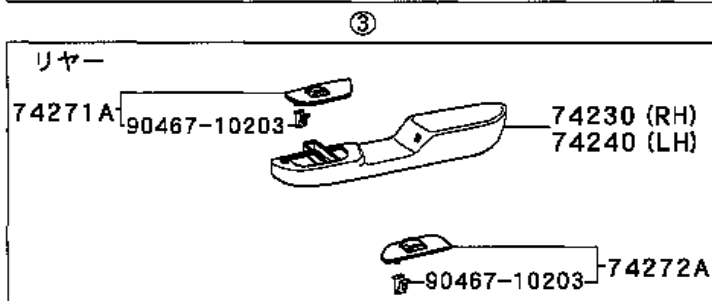
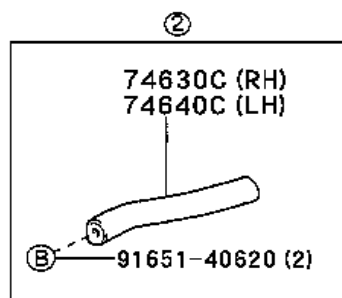
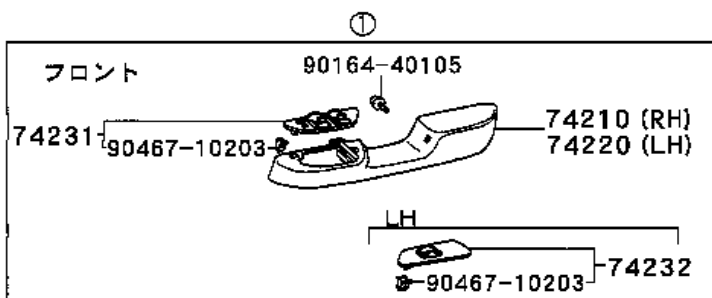
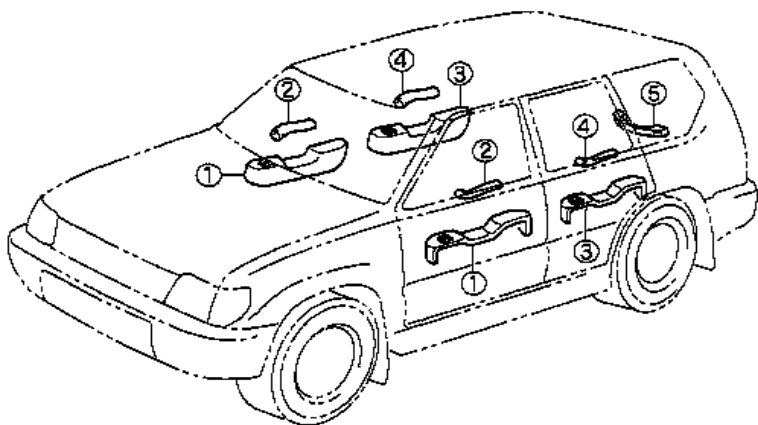
⑤

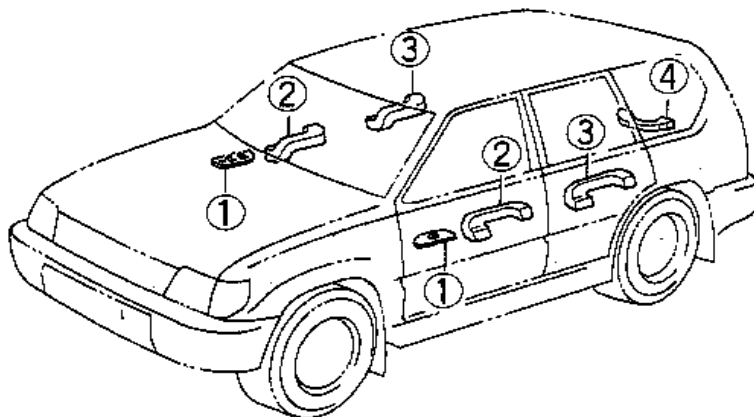
⑥



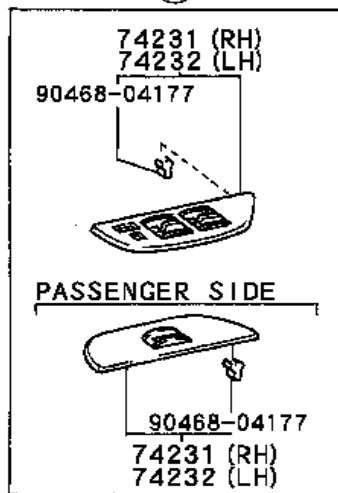
69057A

69759R
6905269055B
69759C
69513A
69511D

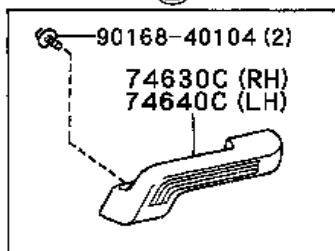




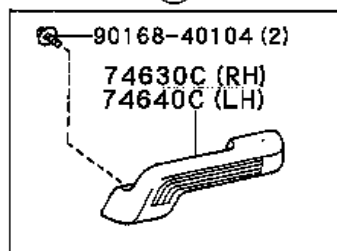
①



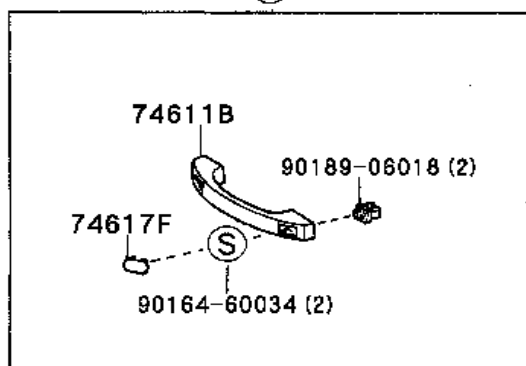
②



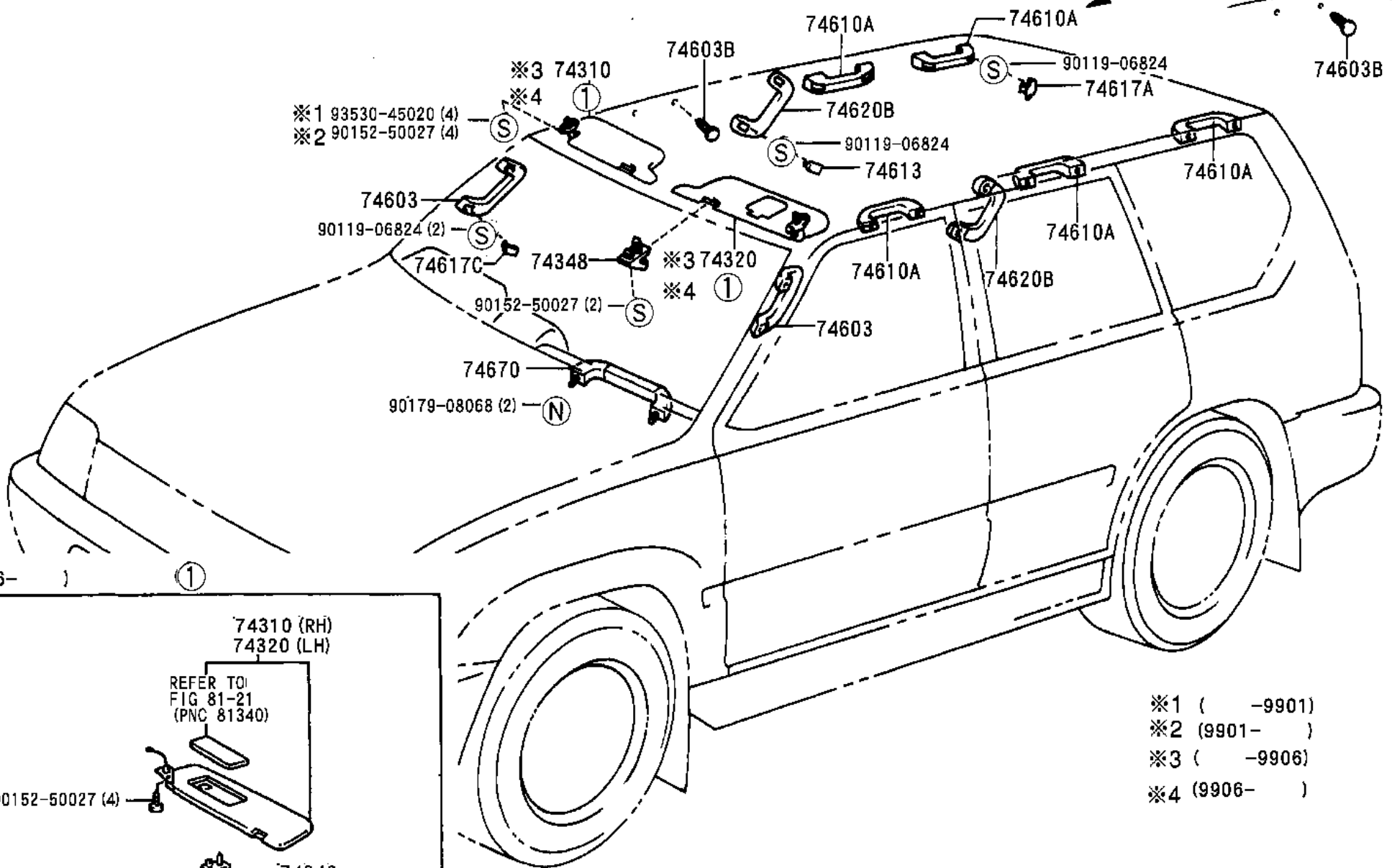
③



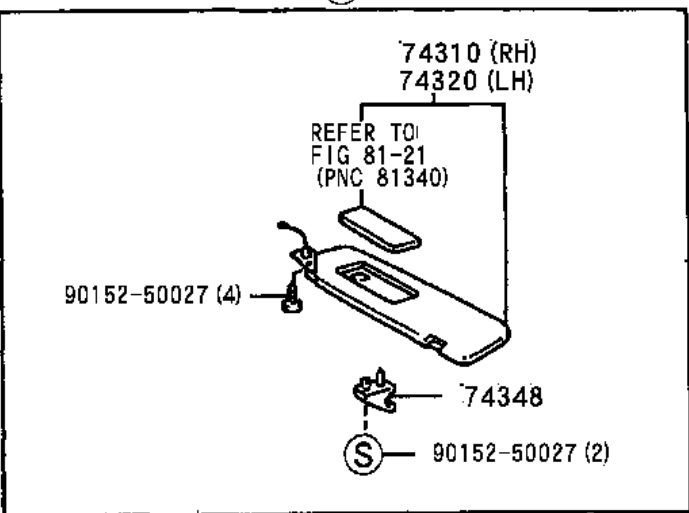
④



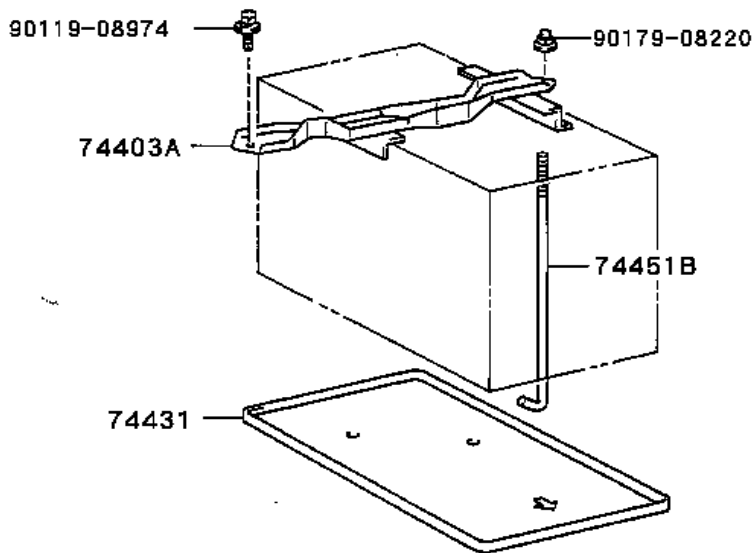
W/O ASSIST GPIP



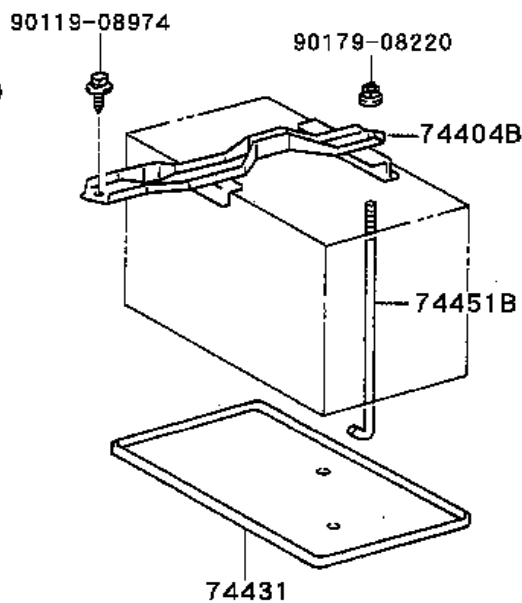
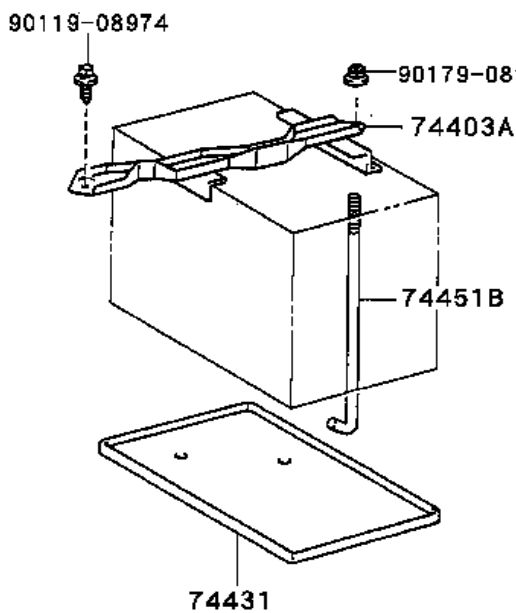
(9906-

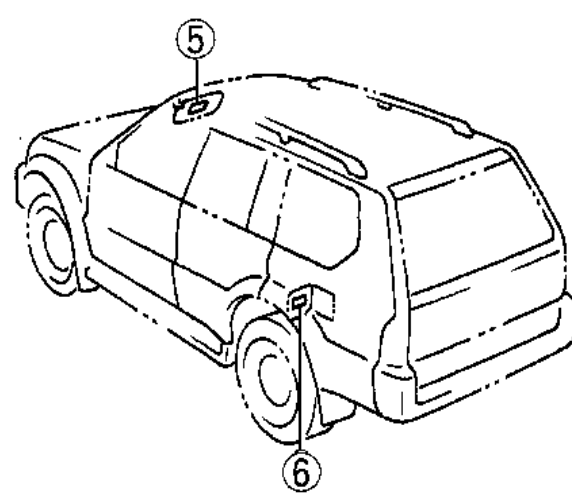
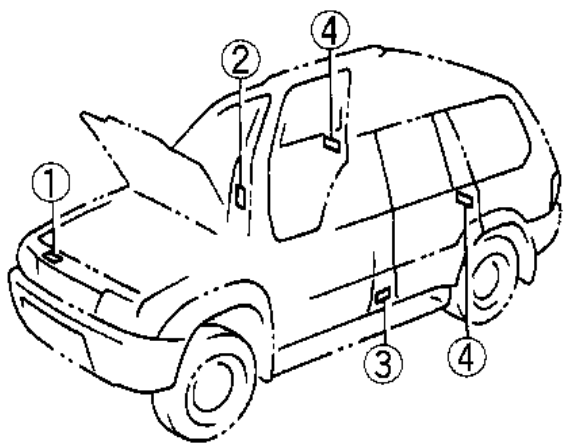


- ※1 (-9901)
- ※2 (9901-)
- ※3 (-9906)
- ※4 (9906-)



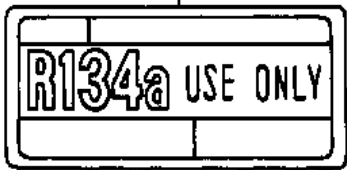
W (BATTERY=85D26RL+80D26RL+105D31RL)





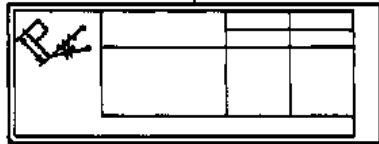
①

88723H



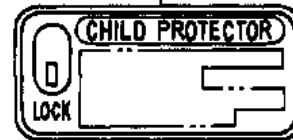
②

74582



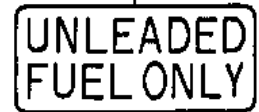
④

69339A
74529



⑥

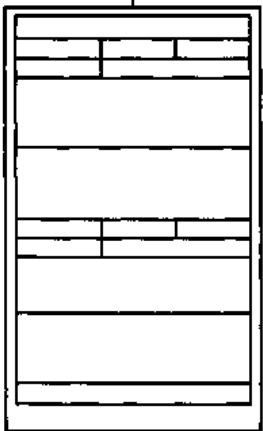
74559A



③

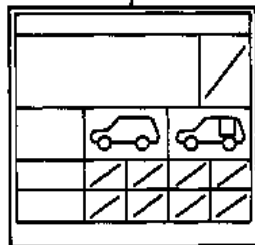
TYPE A

74751



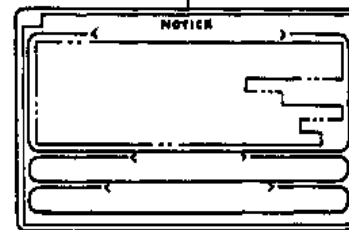
TYPE B

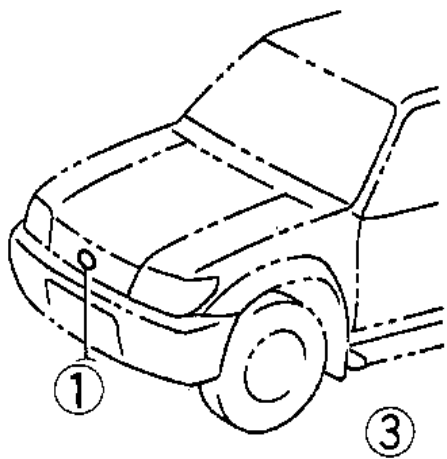
74751



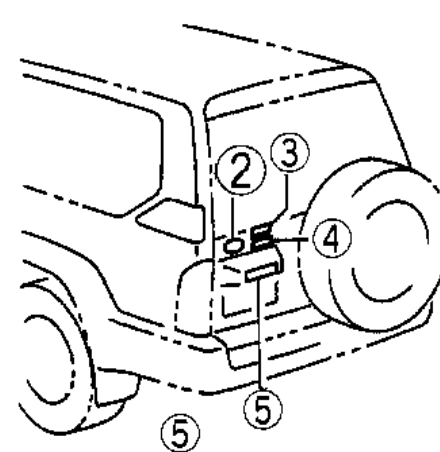
⑤

36369





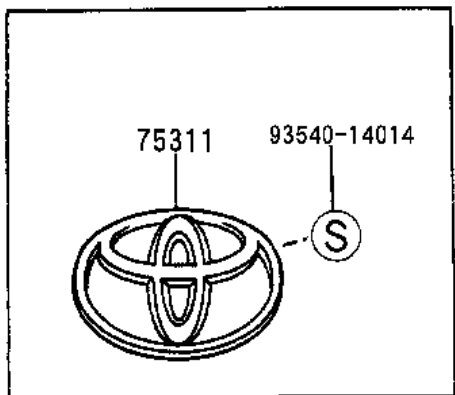
①



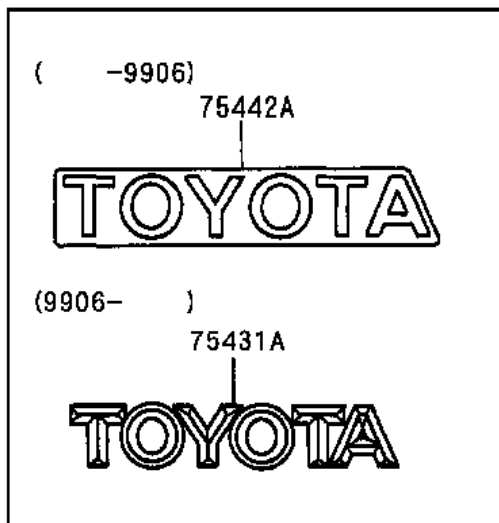
⑤

⑤

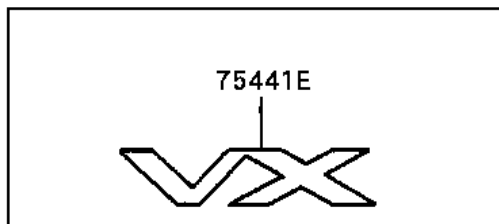
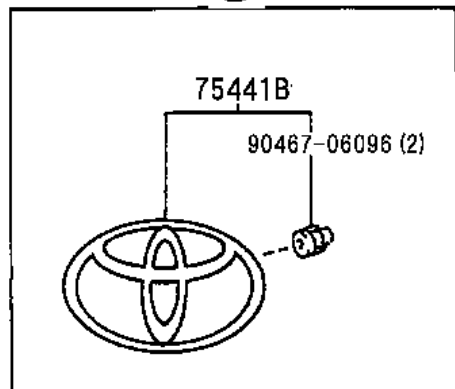
③



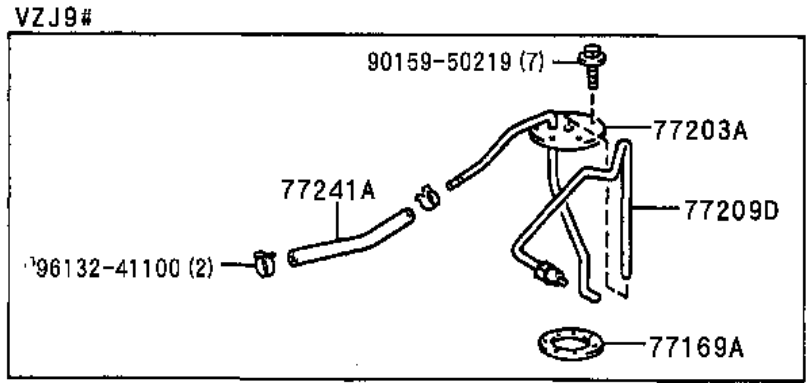
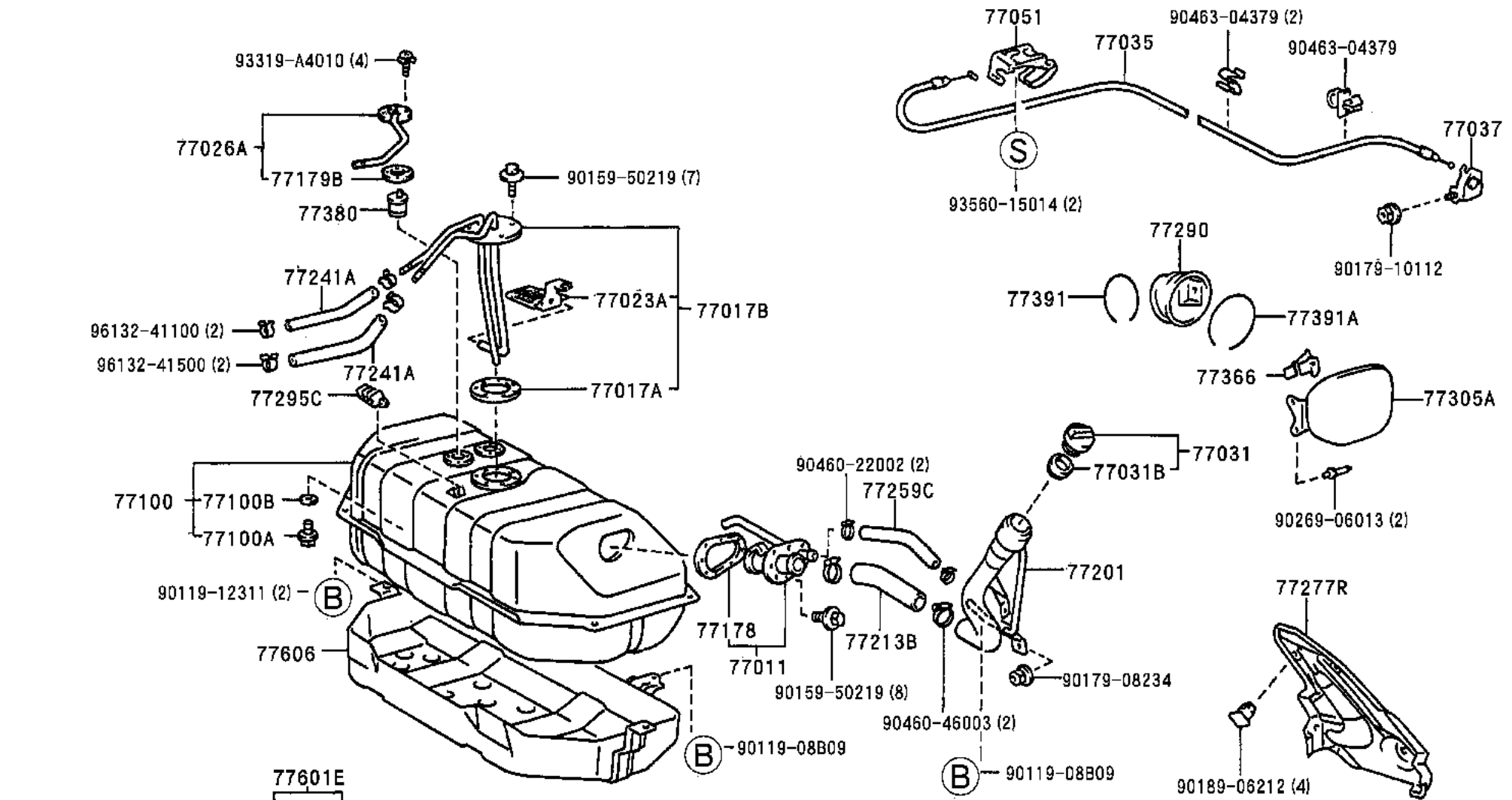
②

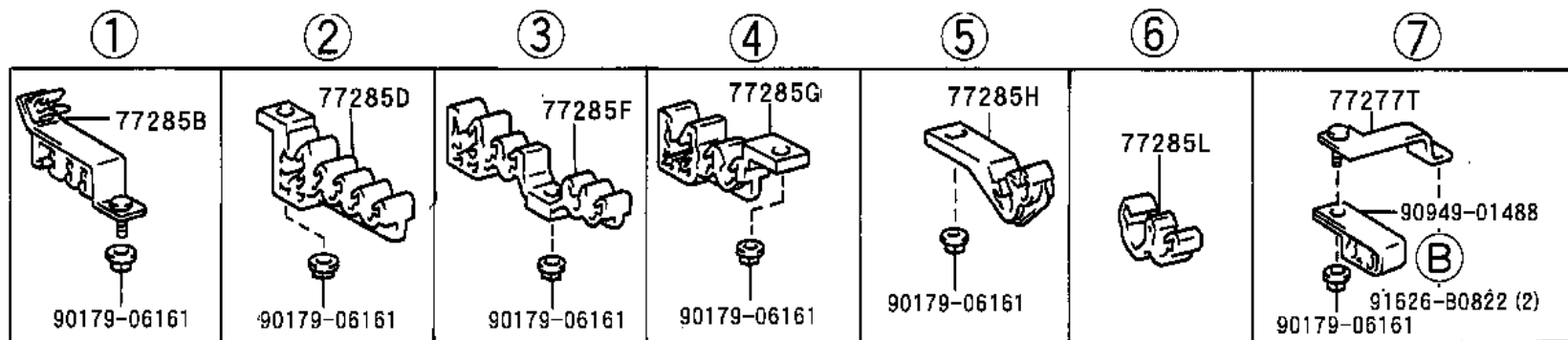
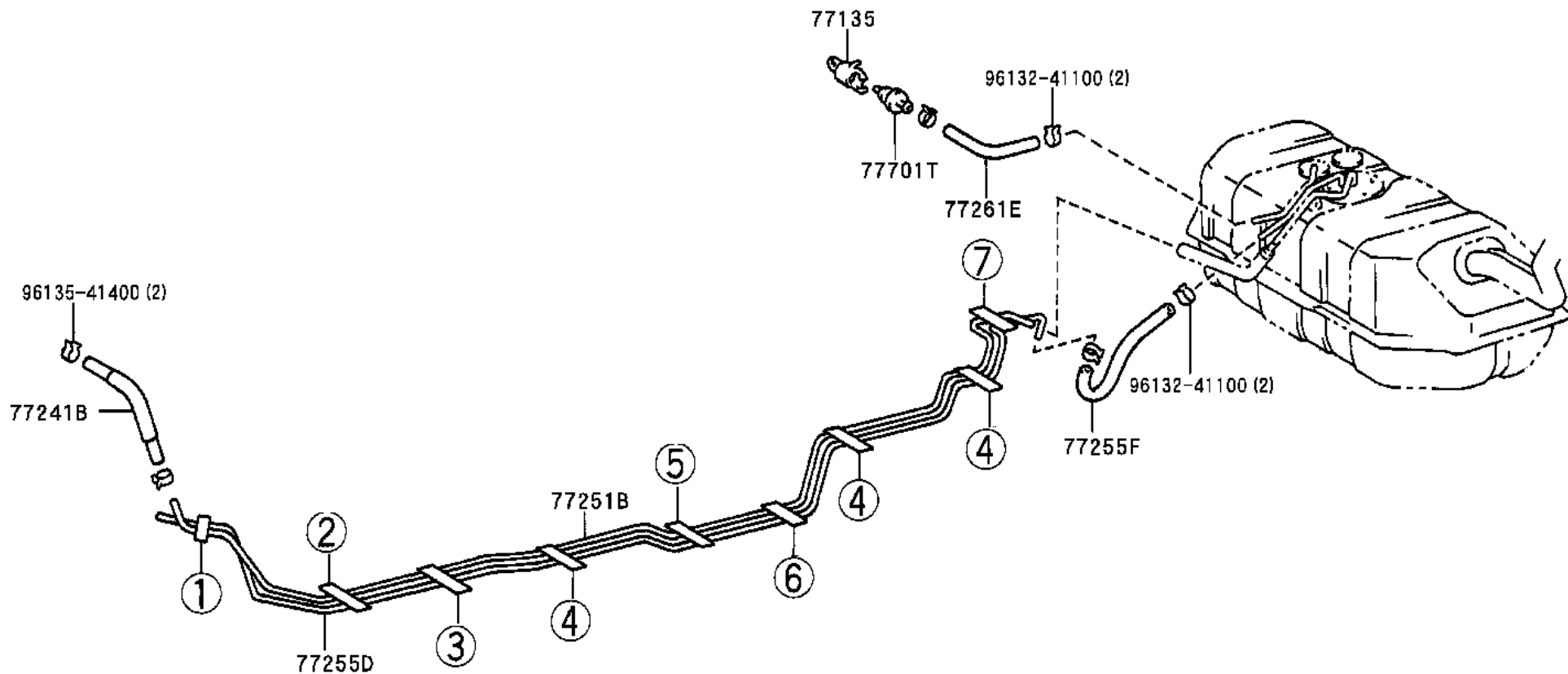


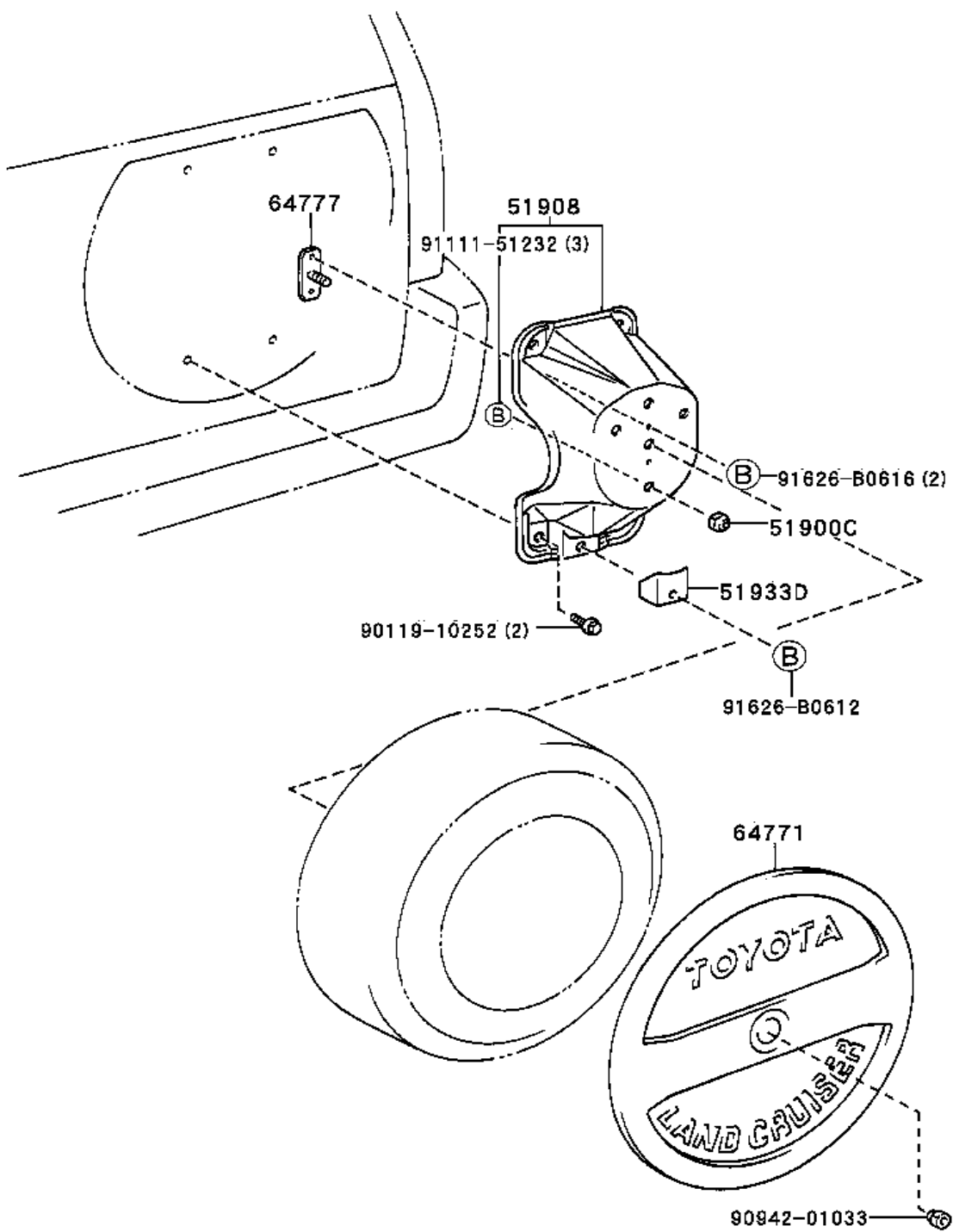
④

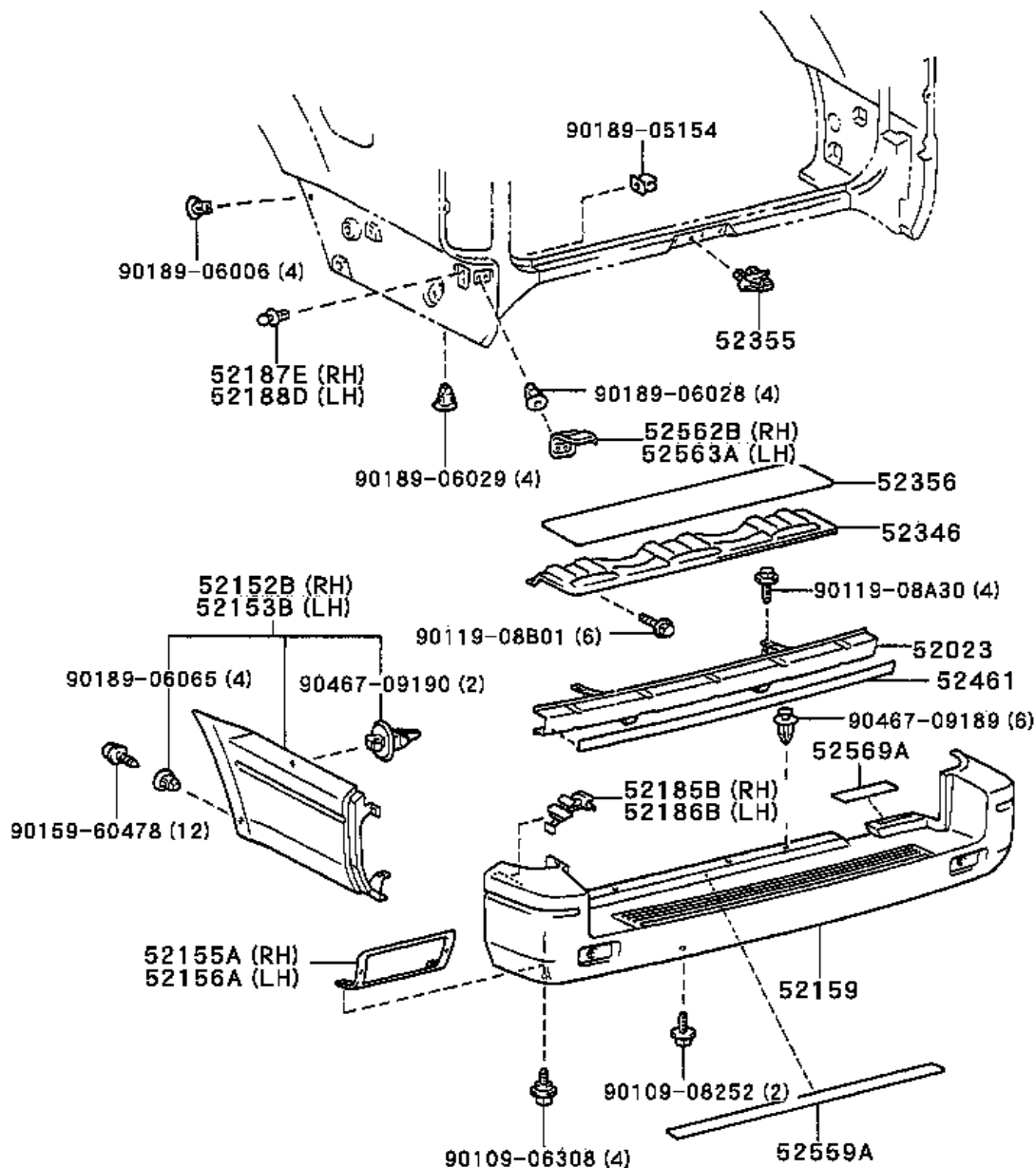


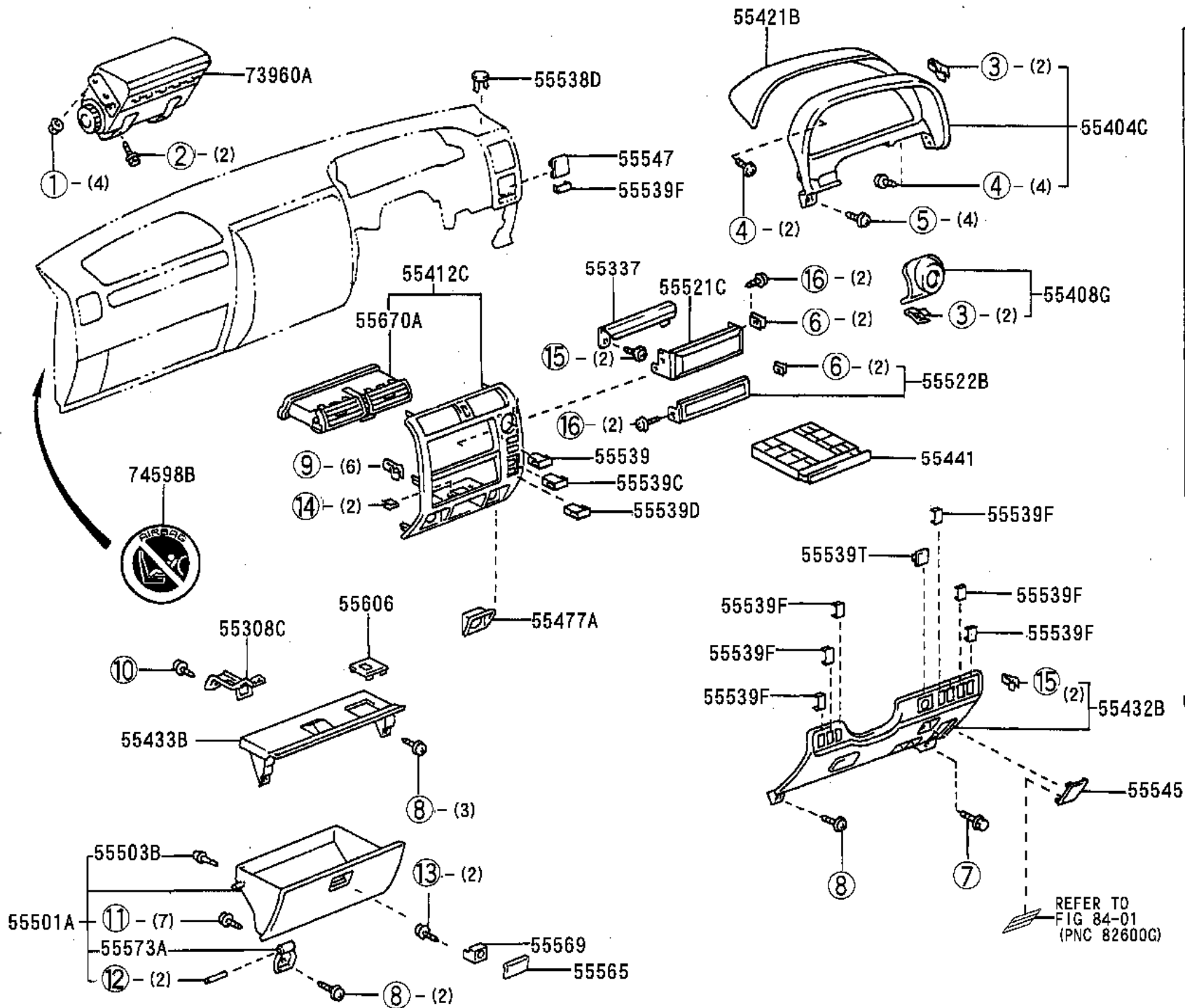
TYPE A	TYPE B
<p>75435A</p>	<p>75435A</p>



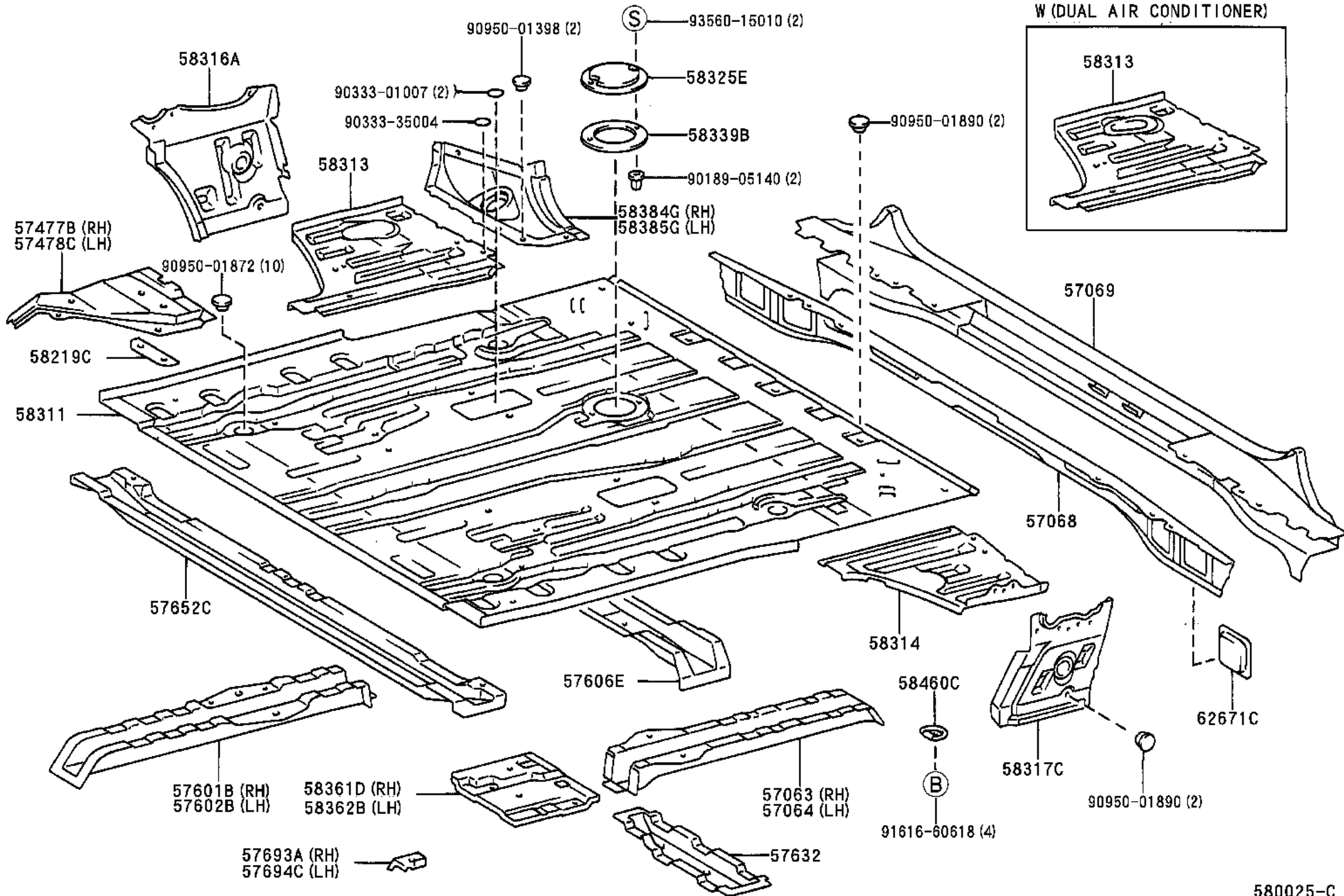




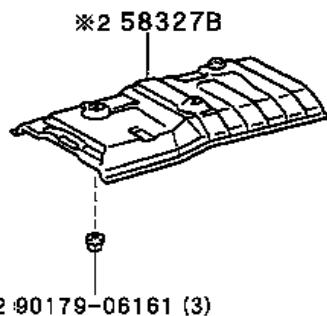
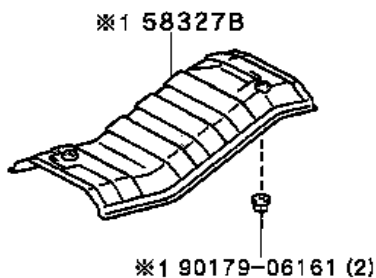
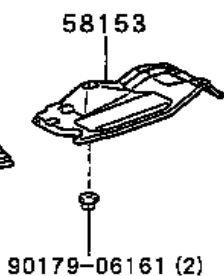
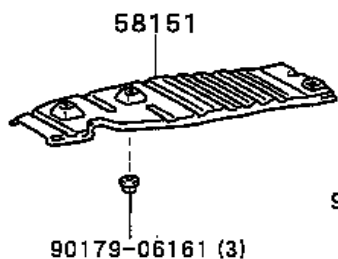




①	90179-08068
②	90119-08B72
③	90468-04177
④	93568-55012
⑤	93567-55016
⑥	90183-05094
⑦	90119-06022
⑧	93560-55016
⑨	55416-60030
⑩	93568-15014
⑪	93530-54010
⑫	55531-60030
⑬	93540-54014
⑭	90183-05040
⑮	90149-50032
⑯	90467-06133-C0

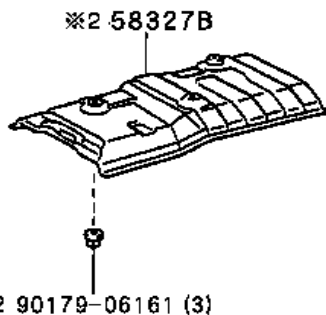
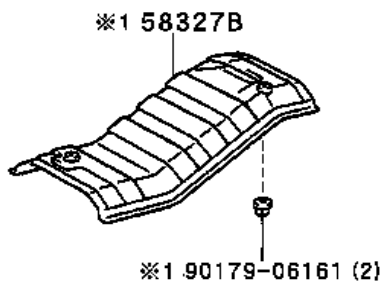
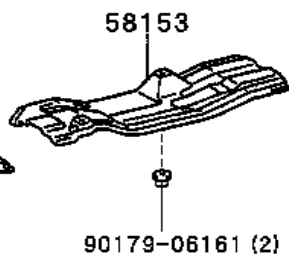
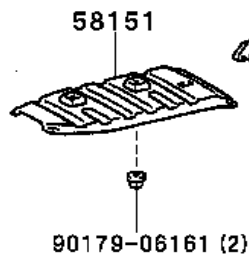


RHD

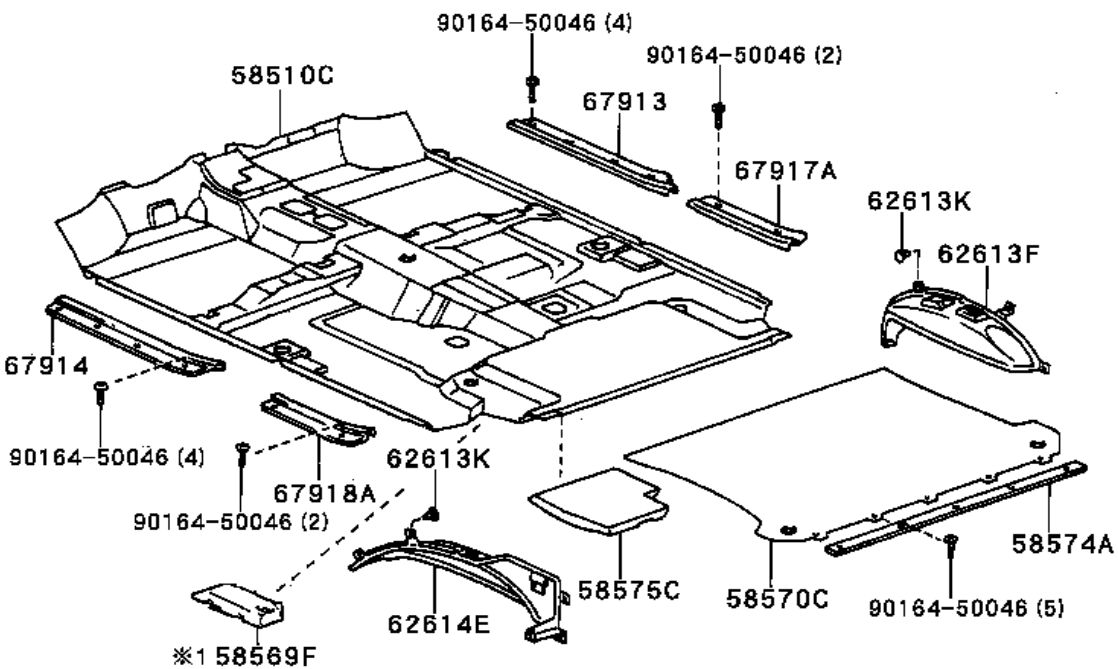


※1 KZJ95, VZJ95
※2 KZJ90, VZJ90

LHD



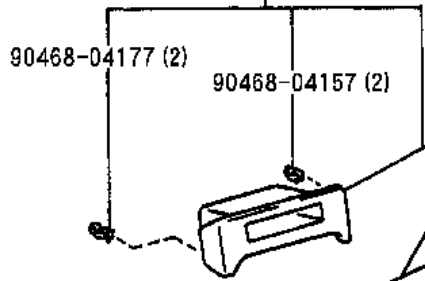
※1 KZJ95, VZJ95
※2 KZJ90, VZJ90



*1 (9906-)

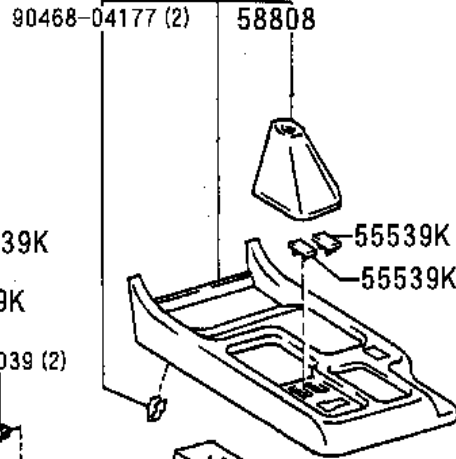
580002-A

58833A

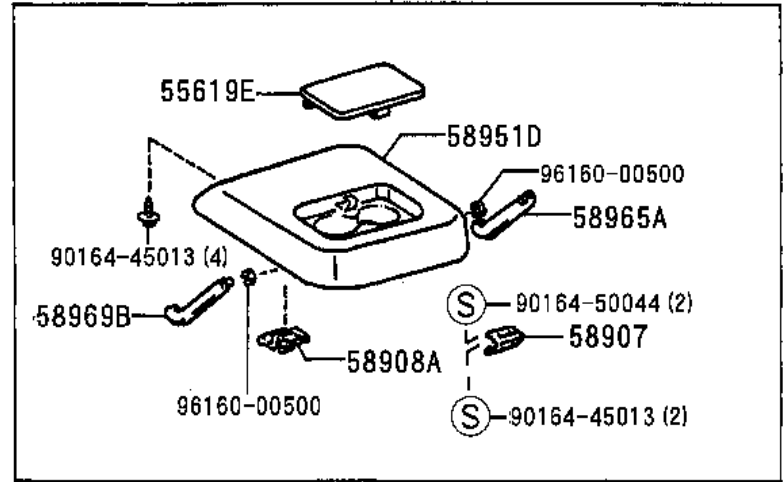


ATM

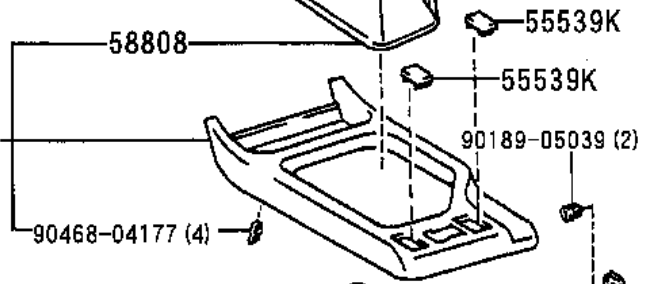
58804A



58905



58804A



90119-06818 (2)

58991

58812A

58910D

90167-50020 (2)

58841A

90159-60397 (2)

58991

90189-05039 (2)

55604A

58971

※2 90119-06428 (2)

※3 91616-60618 (2)

90119-06479 (3)

58993

58964

93567-14514 (8)

93560-53012 (6)

58815A

58959B

58904B

55539A

55539A

58839A

55523C

※1 W (REAR HEATER)

58901A

90183-05094 (2)

58985

58916A

※1 REFER TO FIG 87-15 (PNC 55519)

REFER TO FIG 74-56 (PNC 74130)

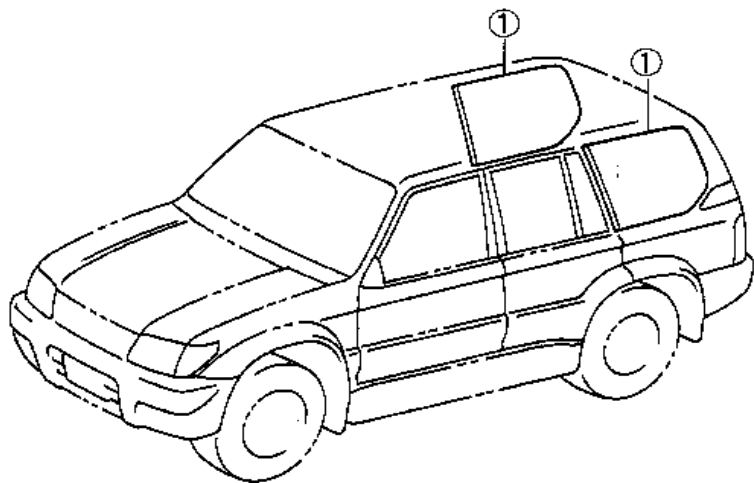
※2 (-9802) ; (9906-)
※3 (9802-9906)

90468-04177 (4)

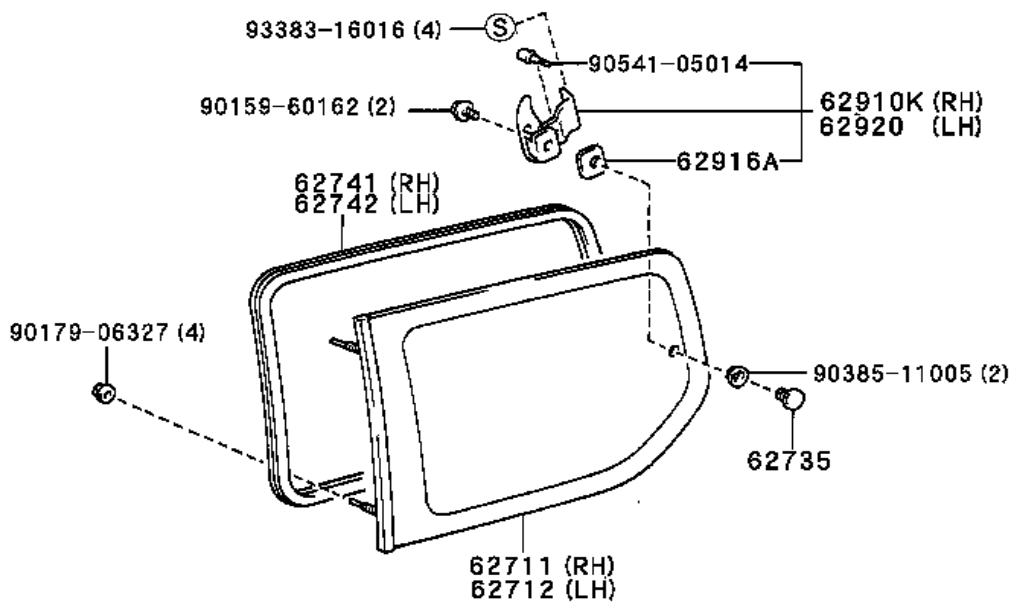
58959D

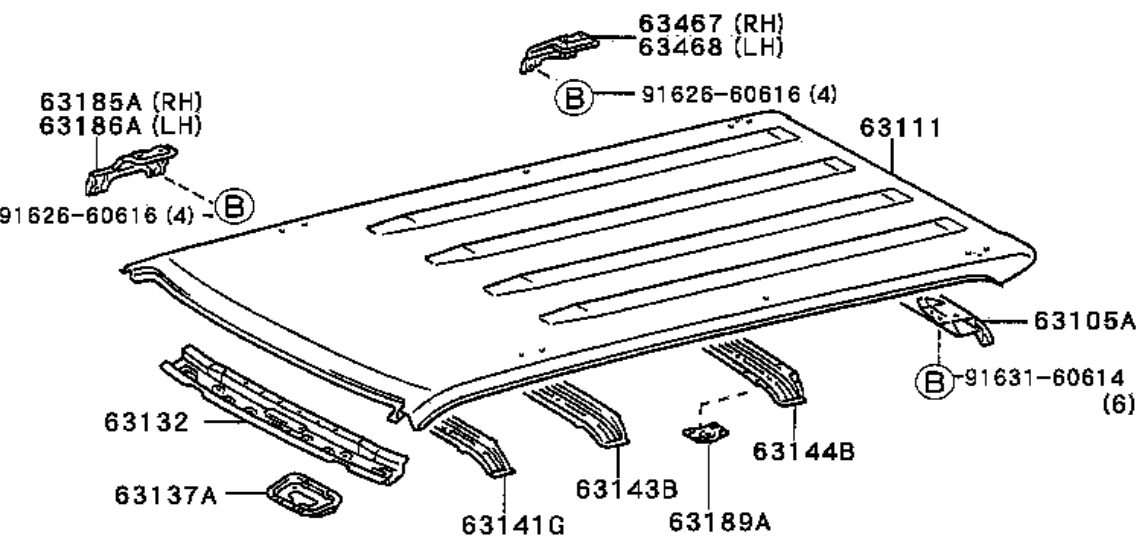
58917A

580018-F

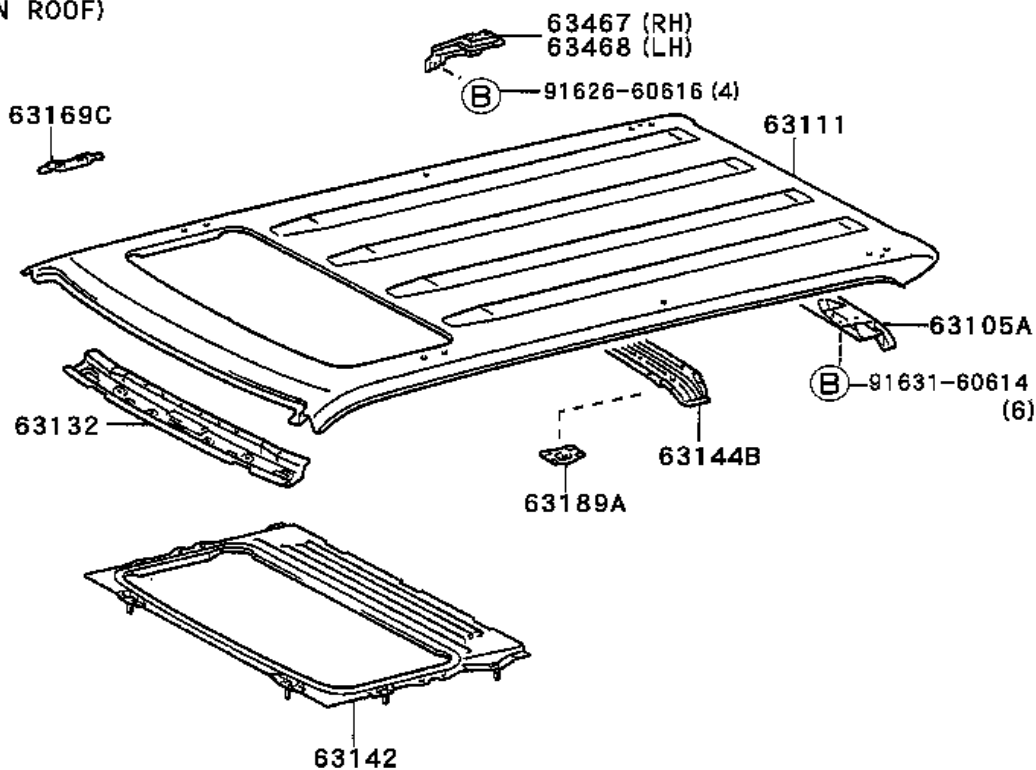


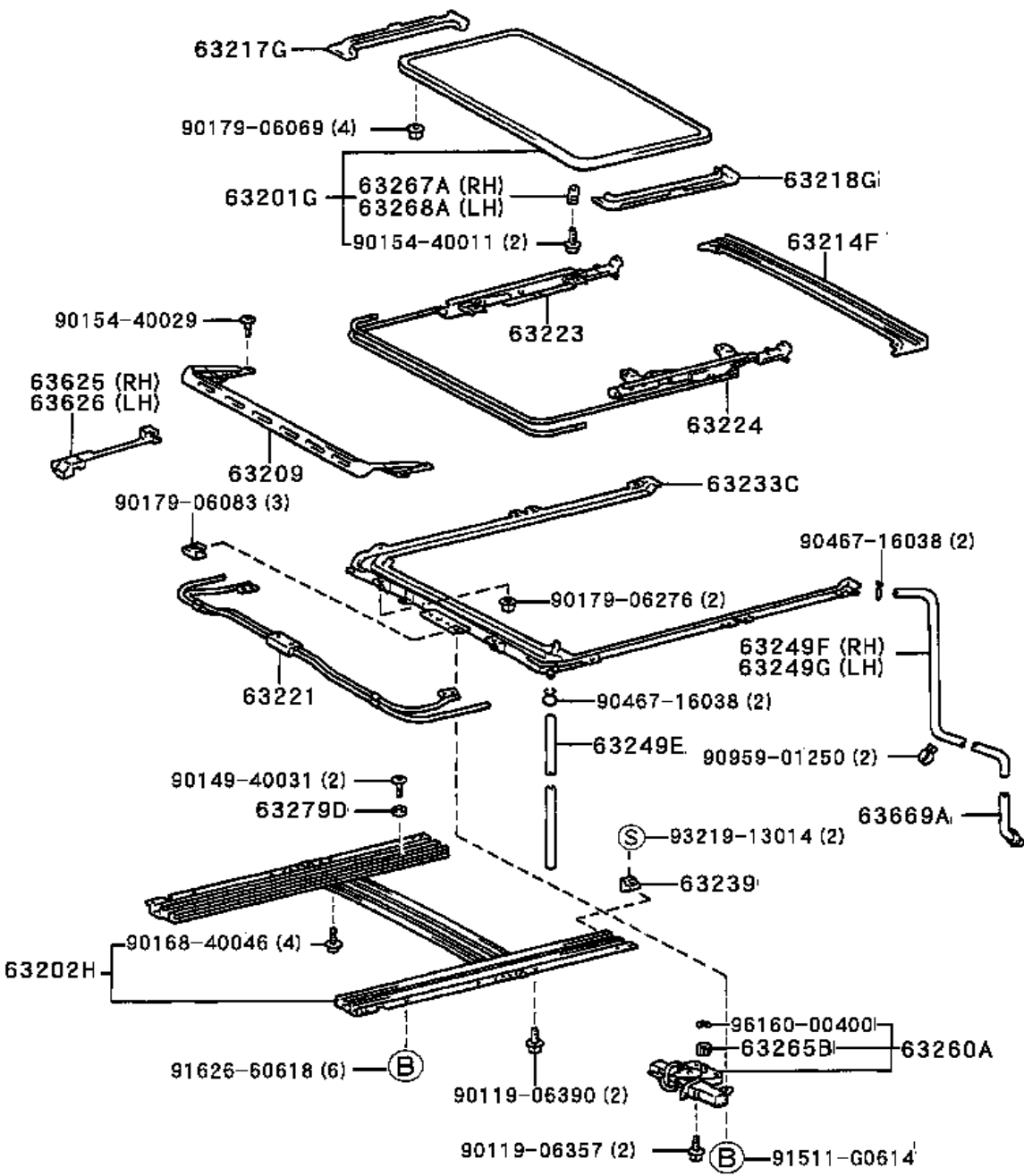
①

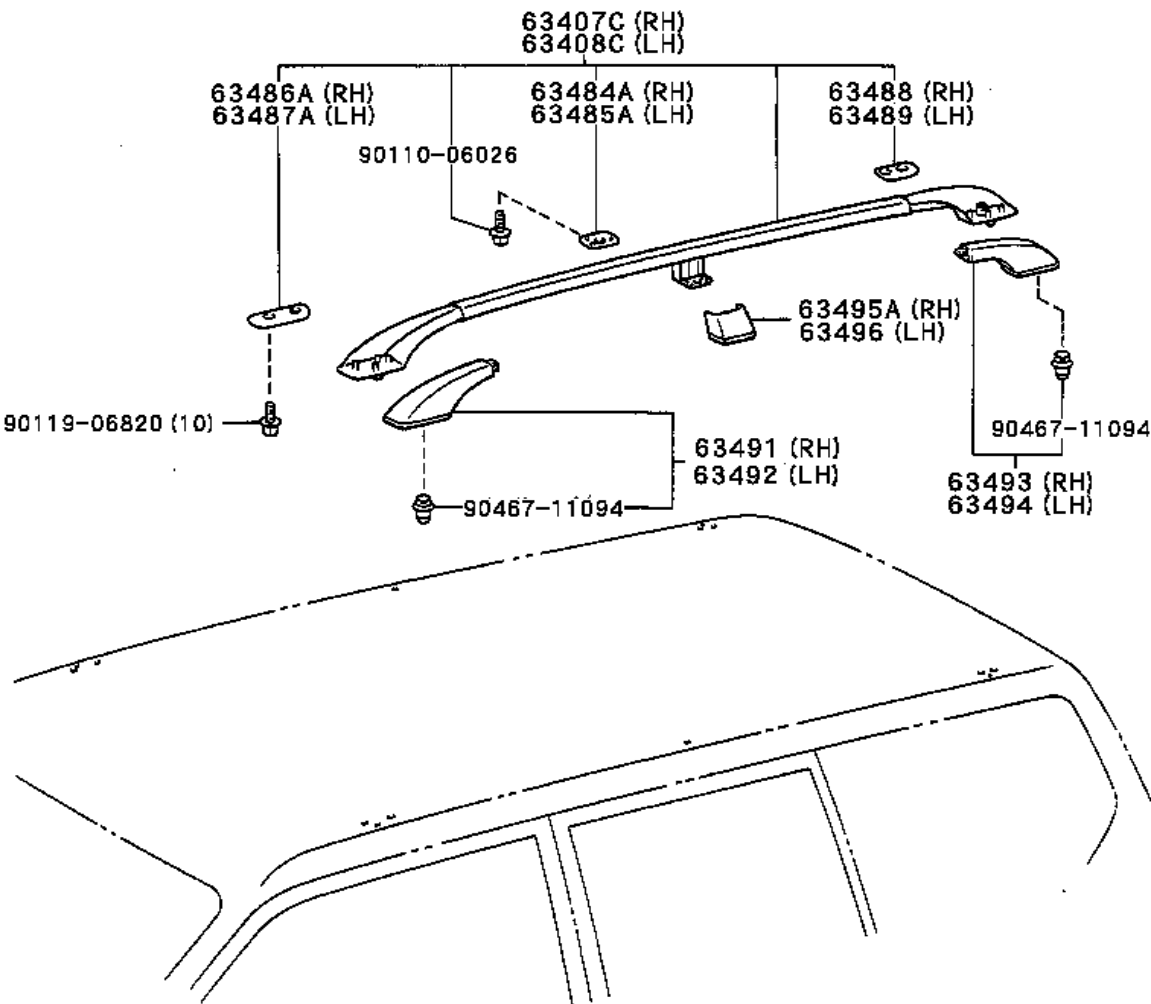


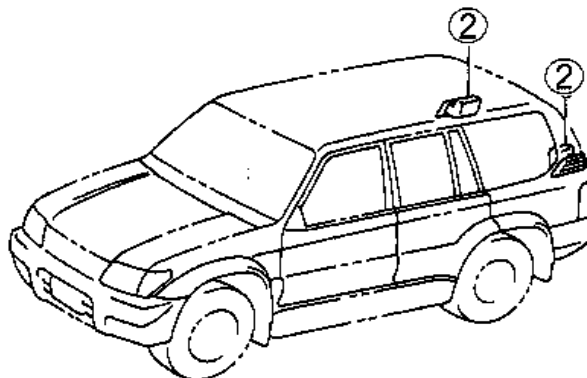
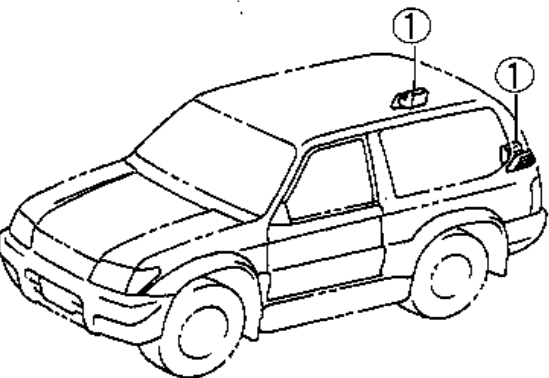


W (SUN ROOF)

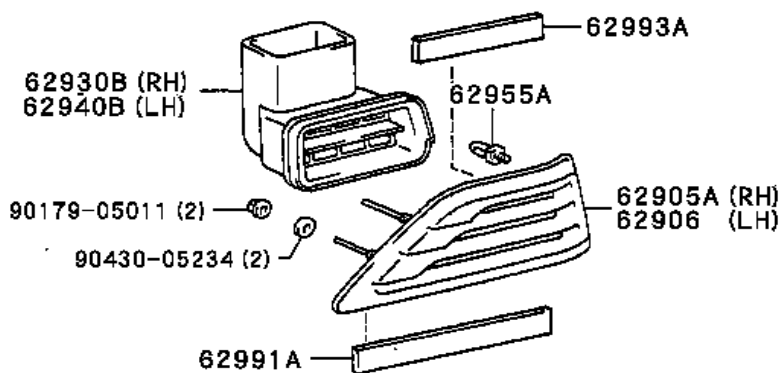




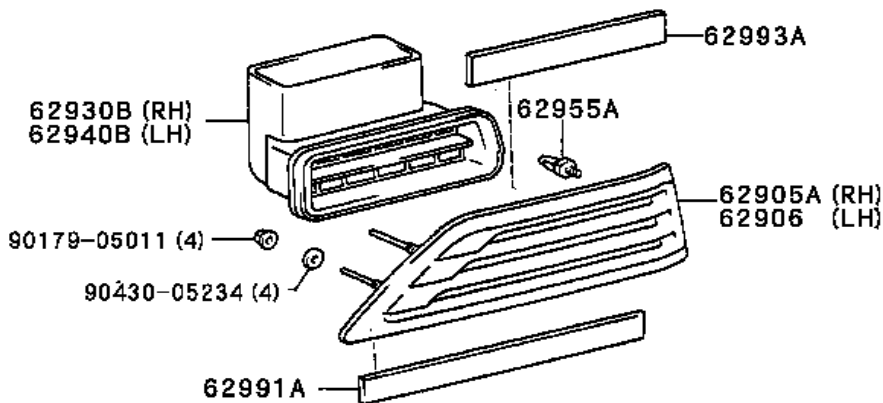




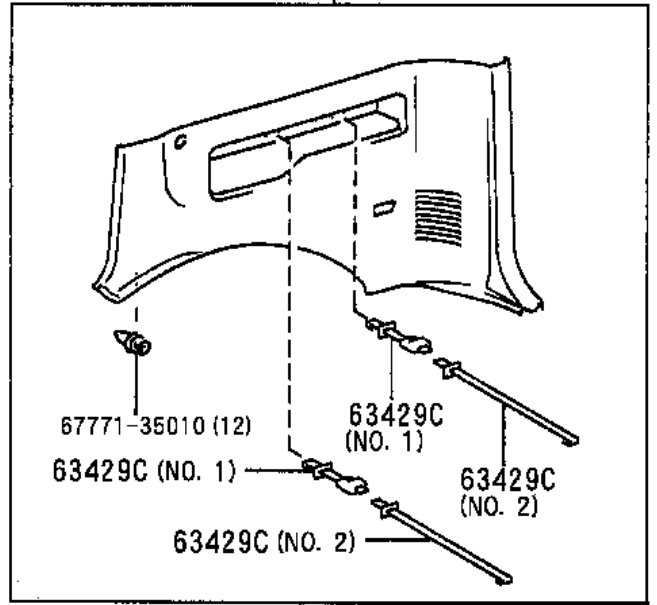
①



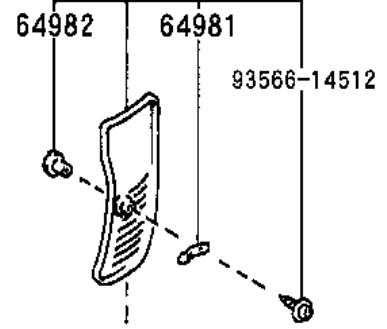
②



62510P



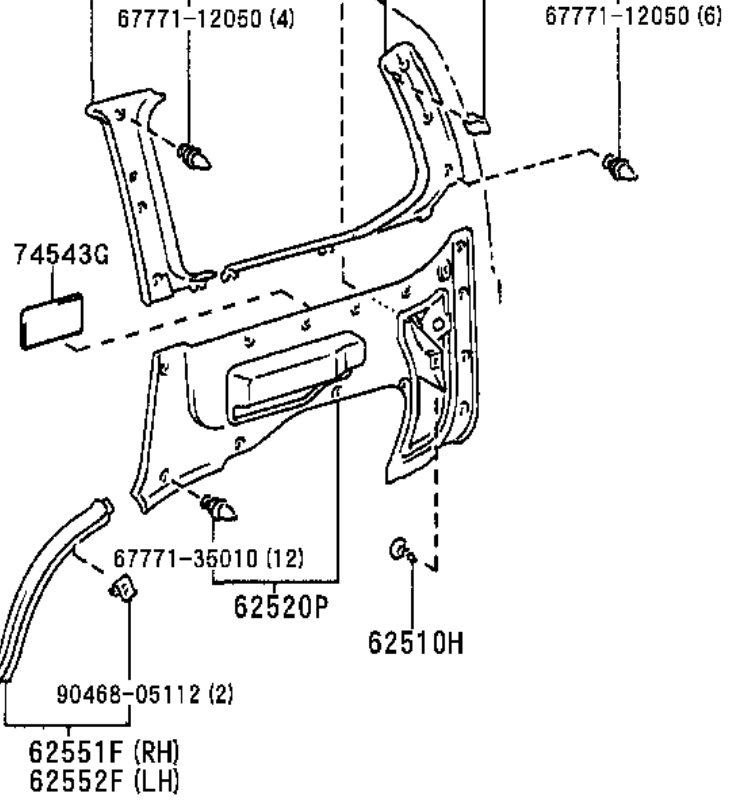
64707D



62638A (RH)
62639A (LH)

62583A (RH)
62584A (LH)

90468-05125



62411B (RH)
62412B (LH)

62311B (RH)
62312B (LH)

62211 (RH)
62212 (LH)

90468-05125 (2)

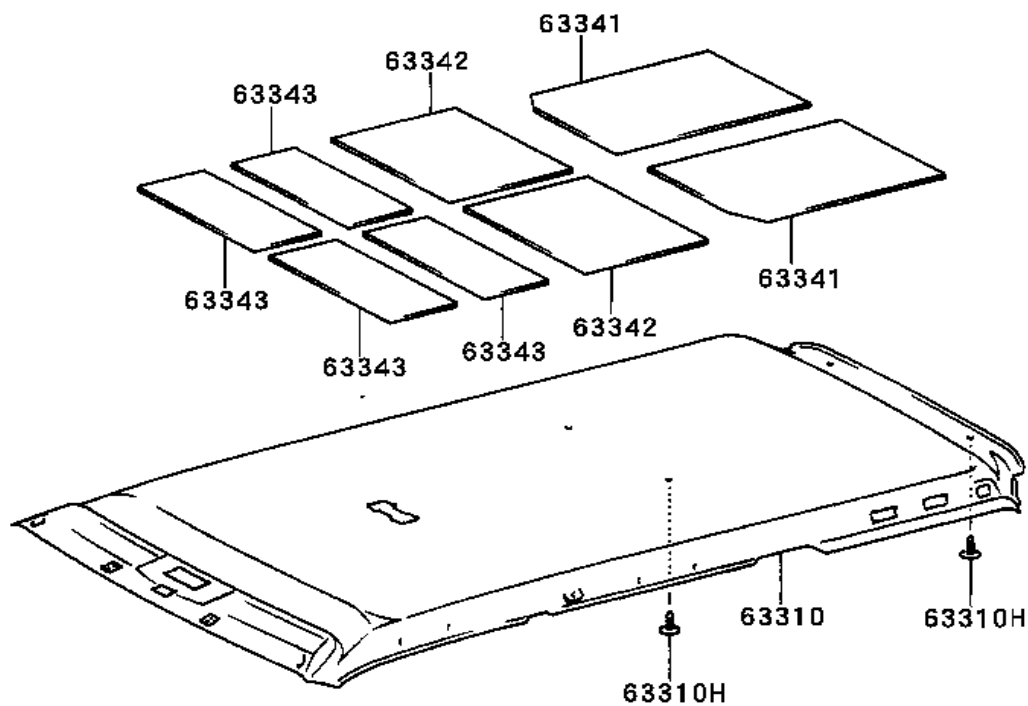
62401A

62111A (RH)
62112A (LH)

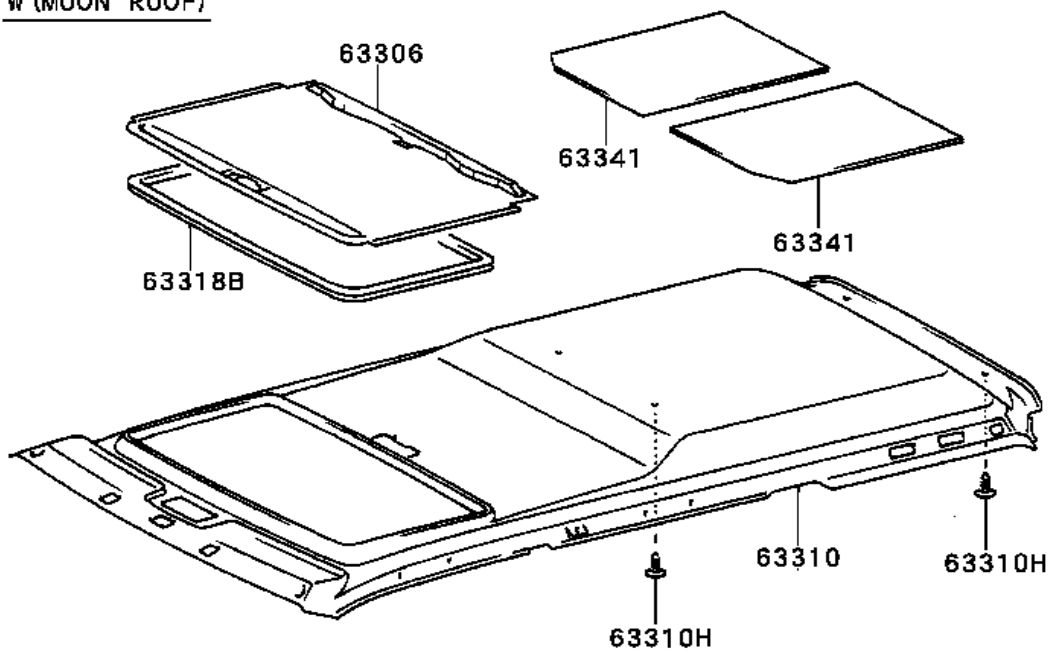
90468-05123 (2)

62538C

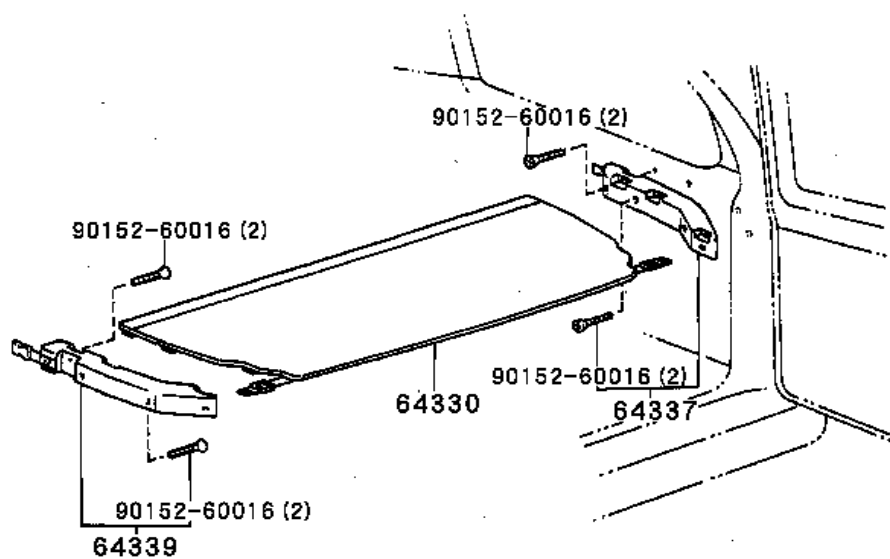
62413A (RH)
62414A (LH)



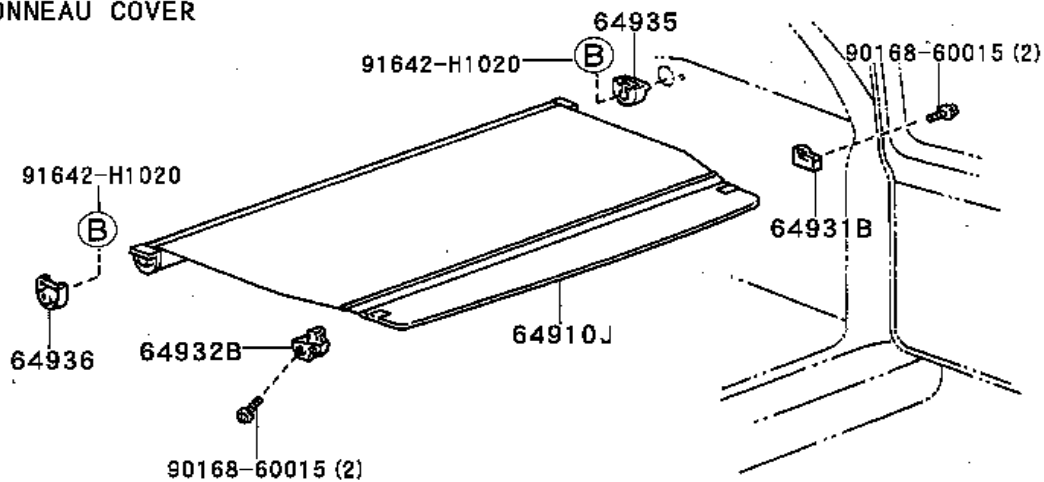
W (MOON ROOF)

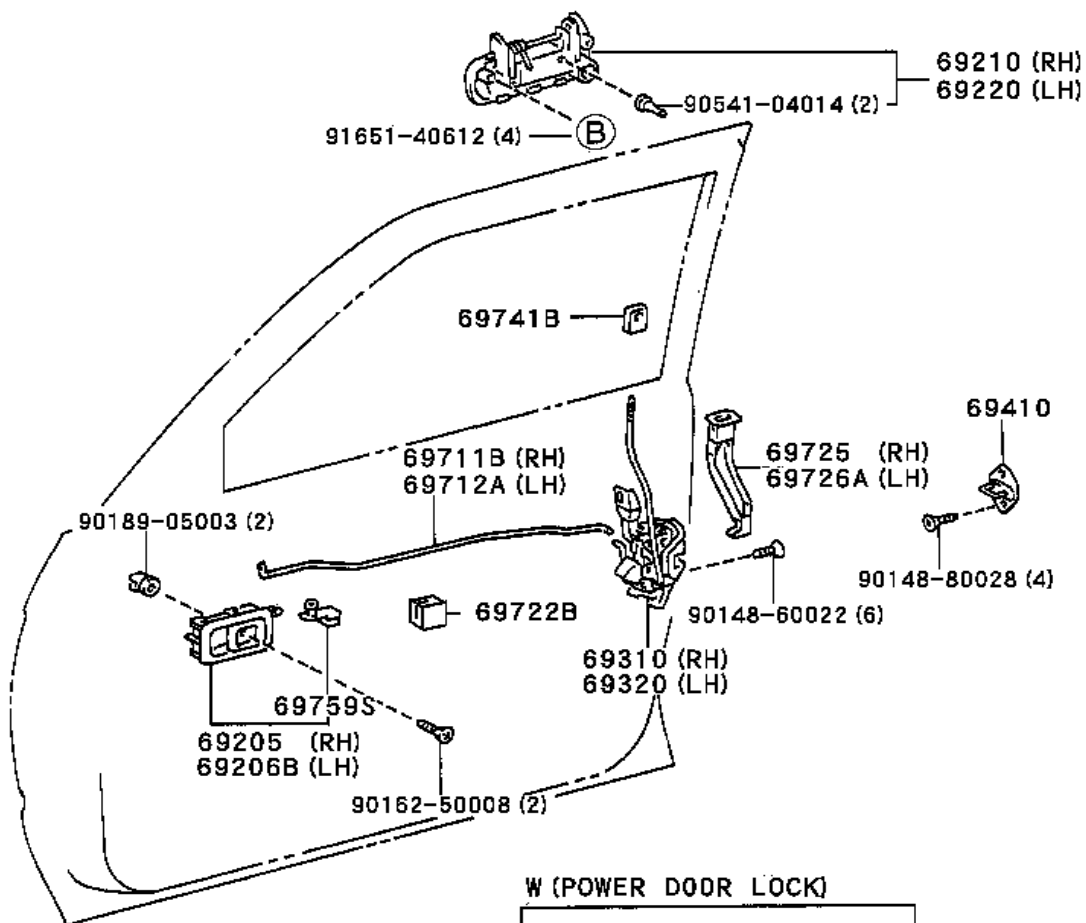


PACKAGE TRAY

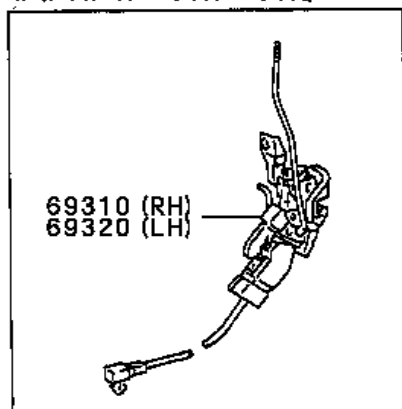


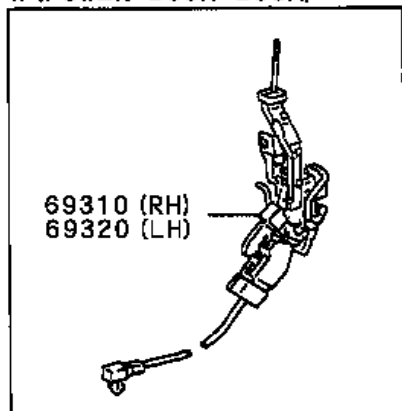
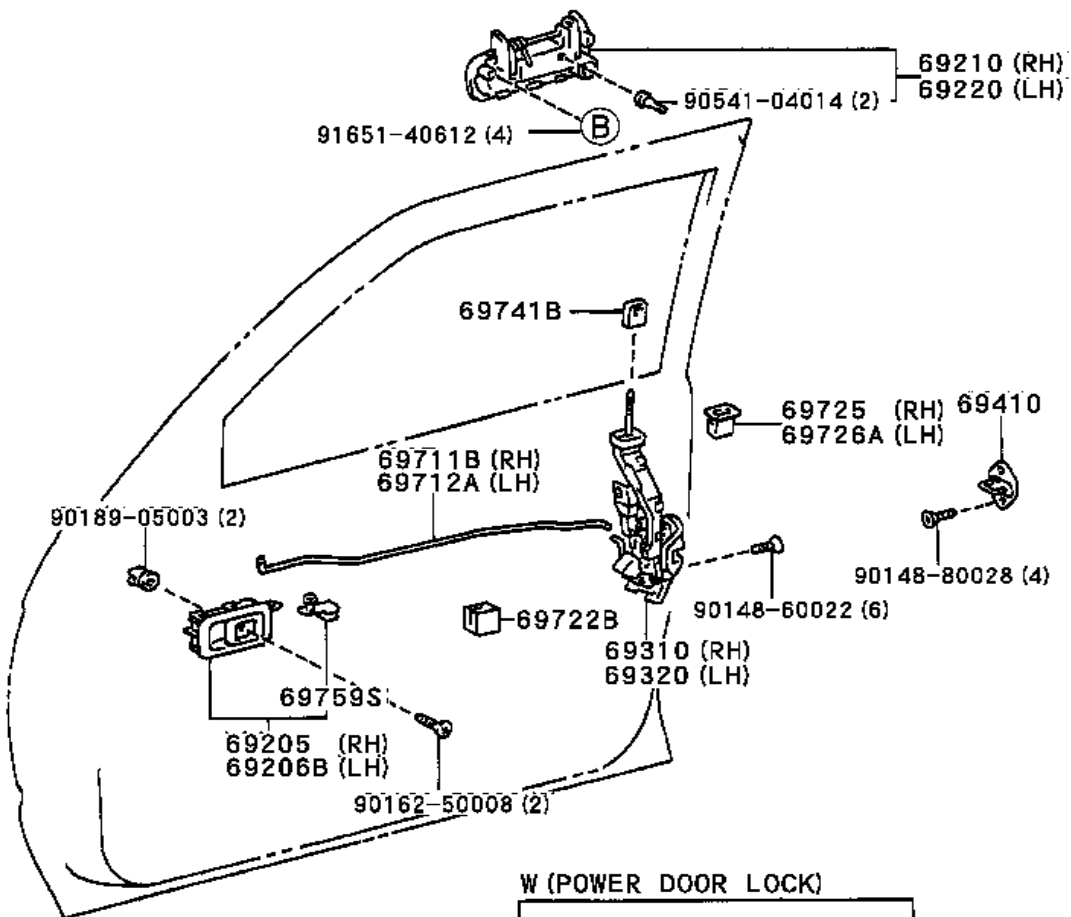
TONNEAU COVER

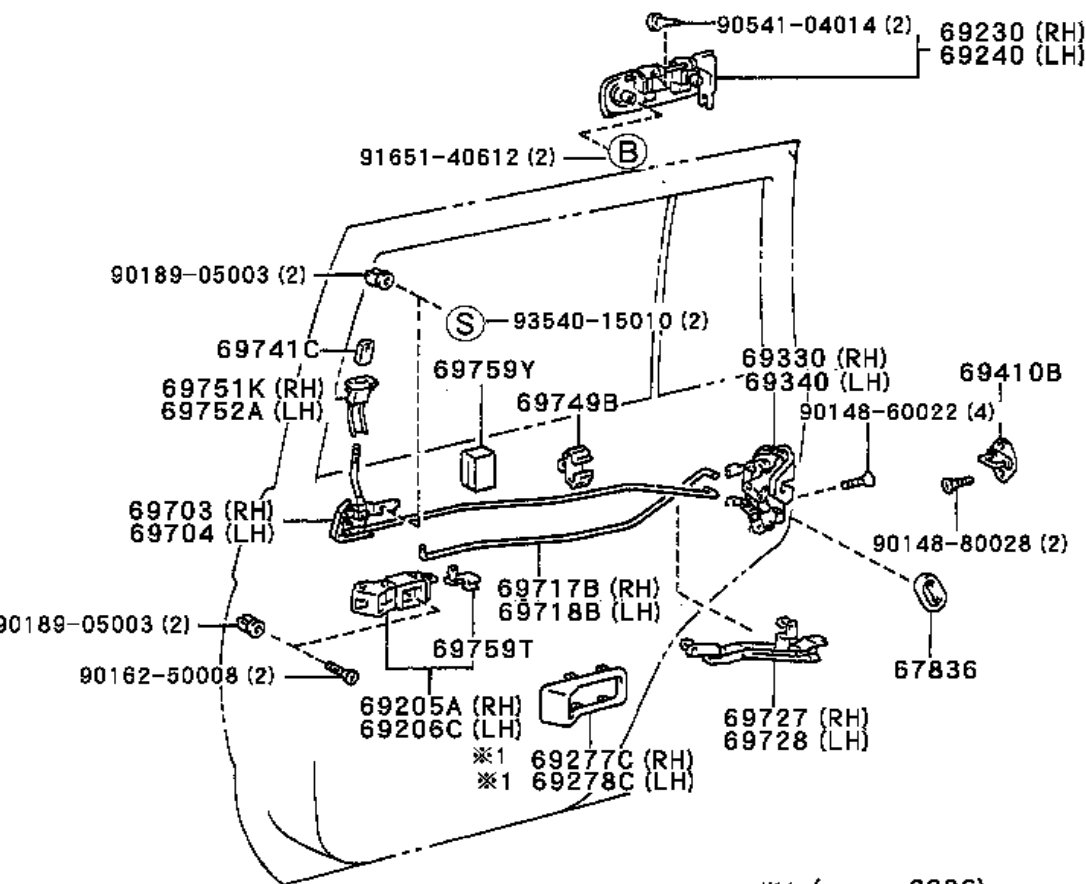




W (POWER DOOR LOCK)

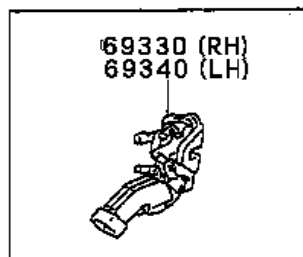


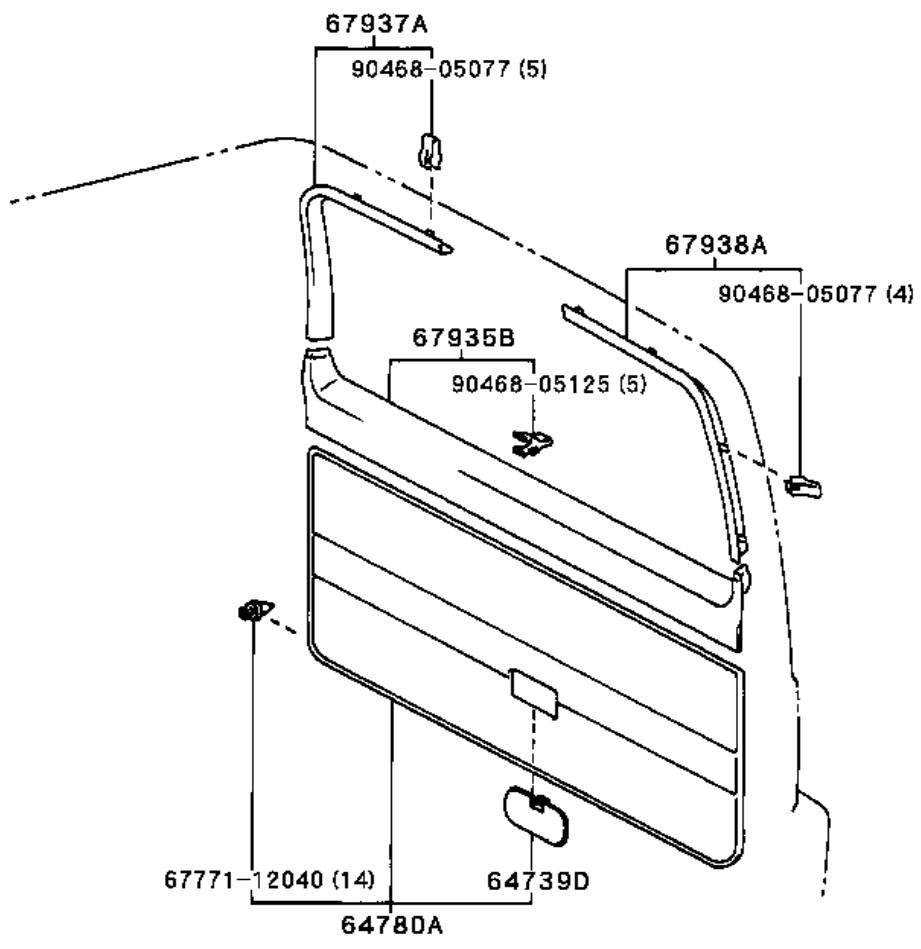


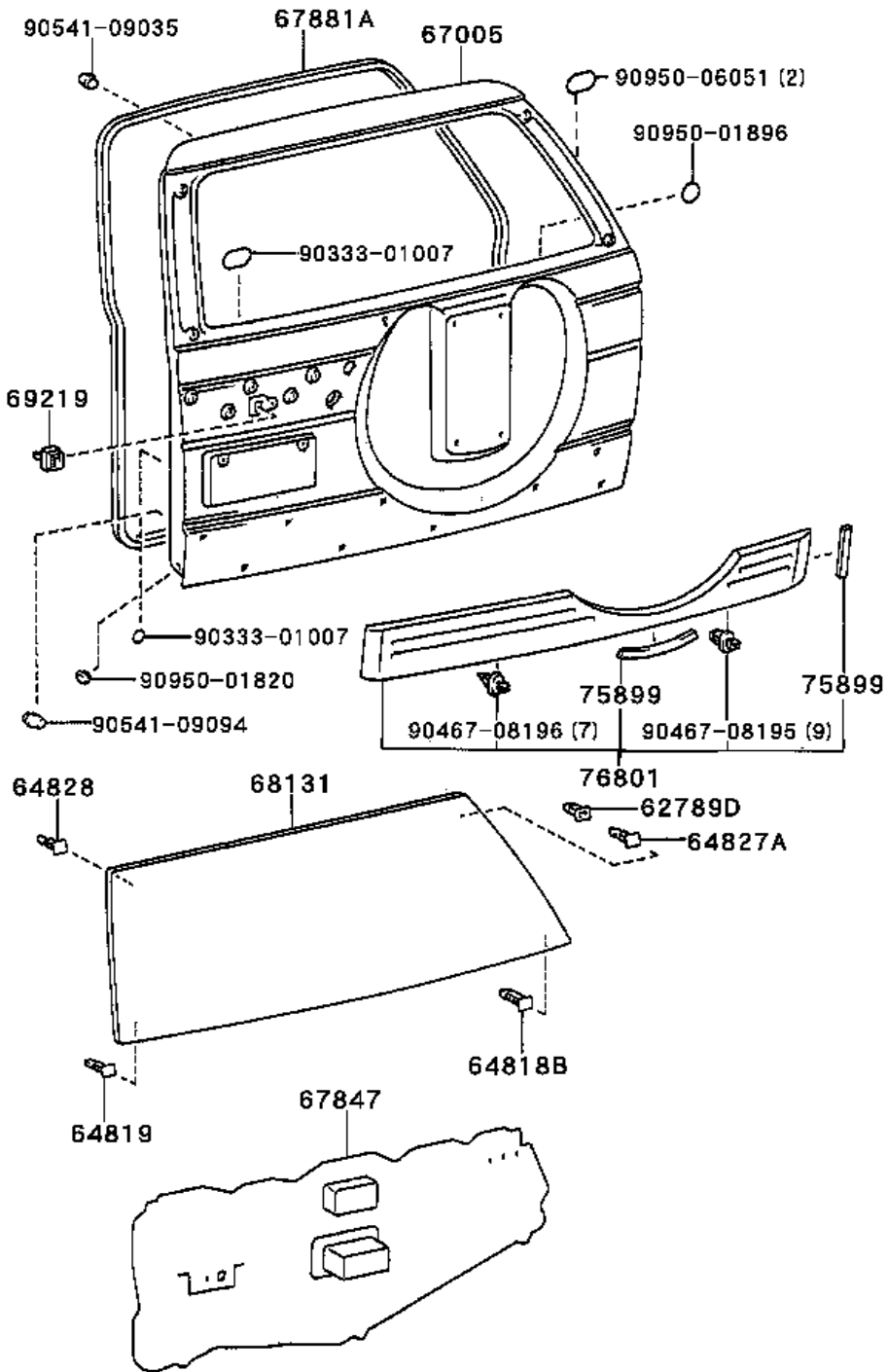


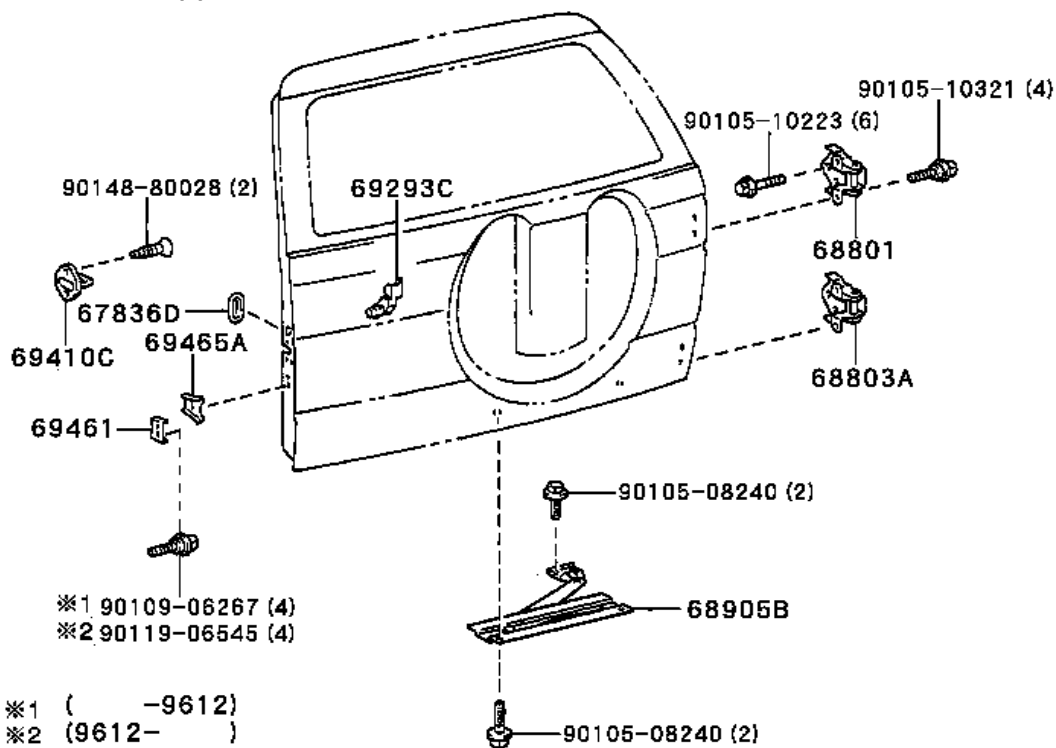
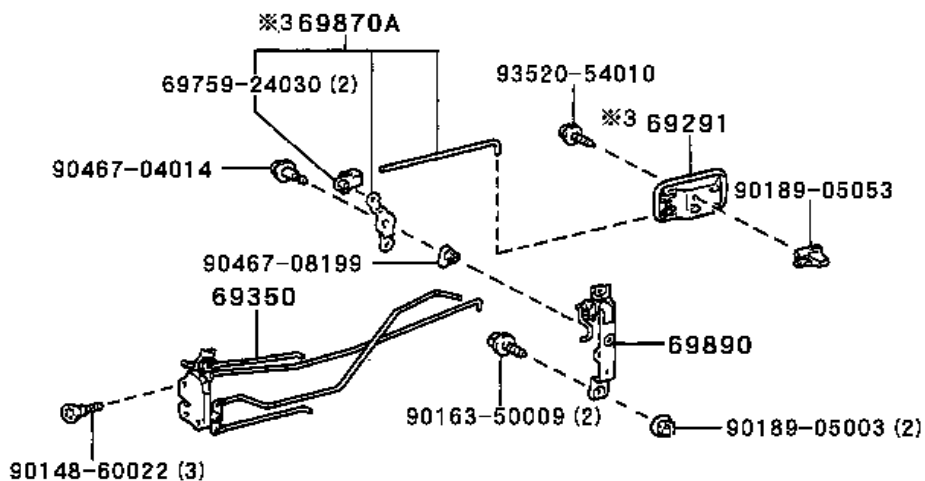
*1 (-9906)

W (POWER WINDOW LOCK)

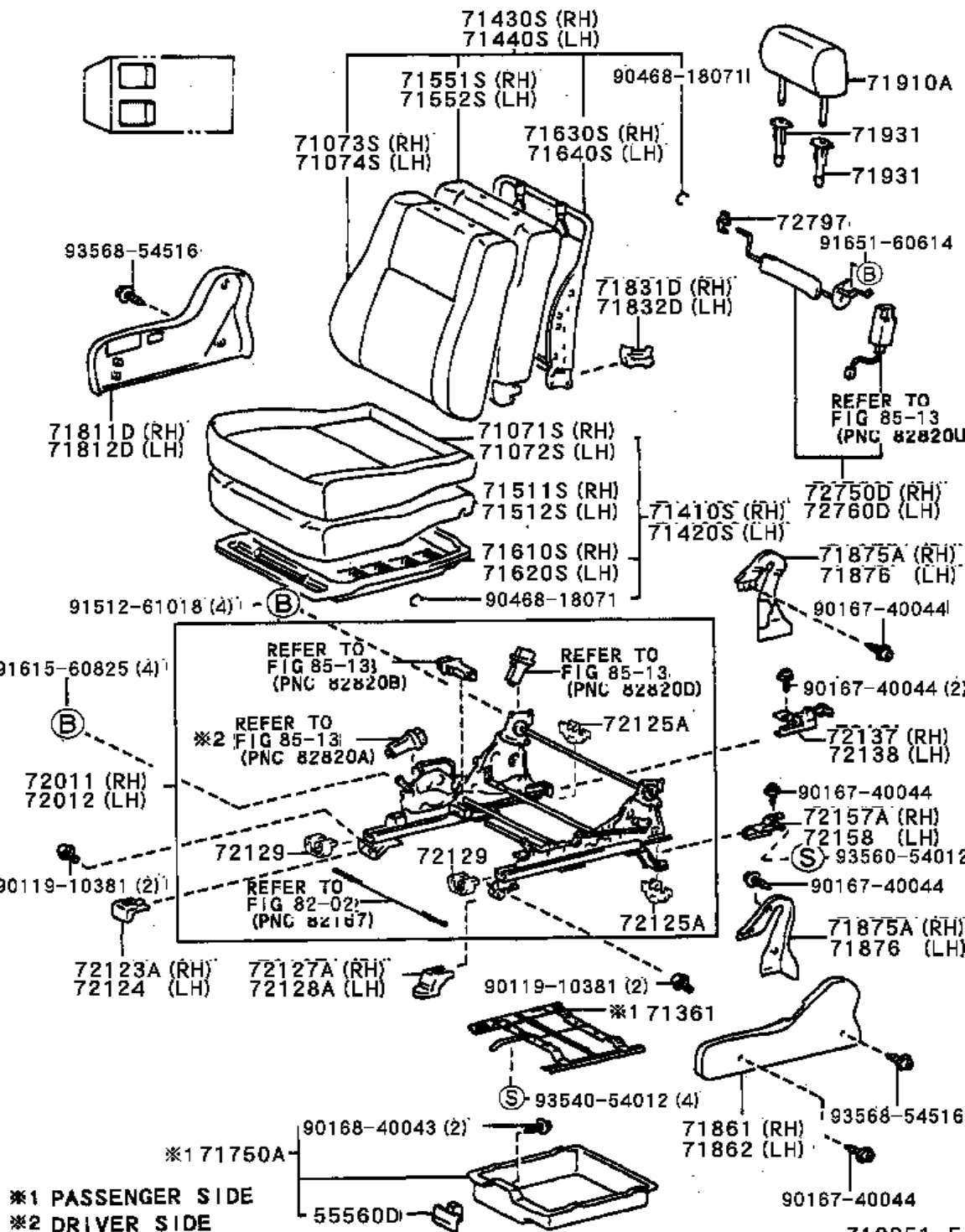


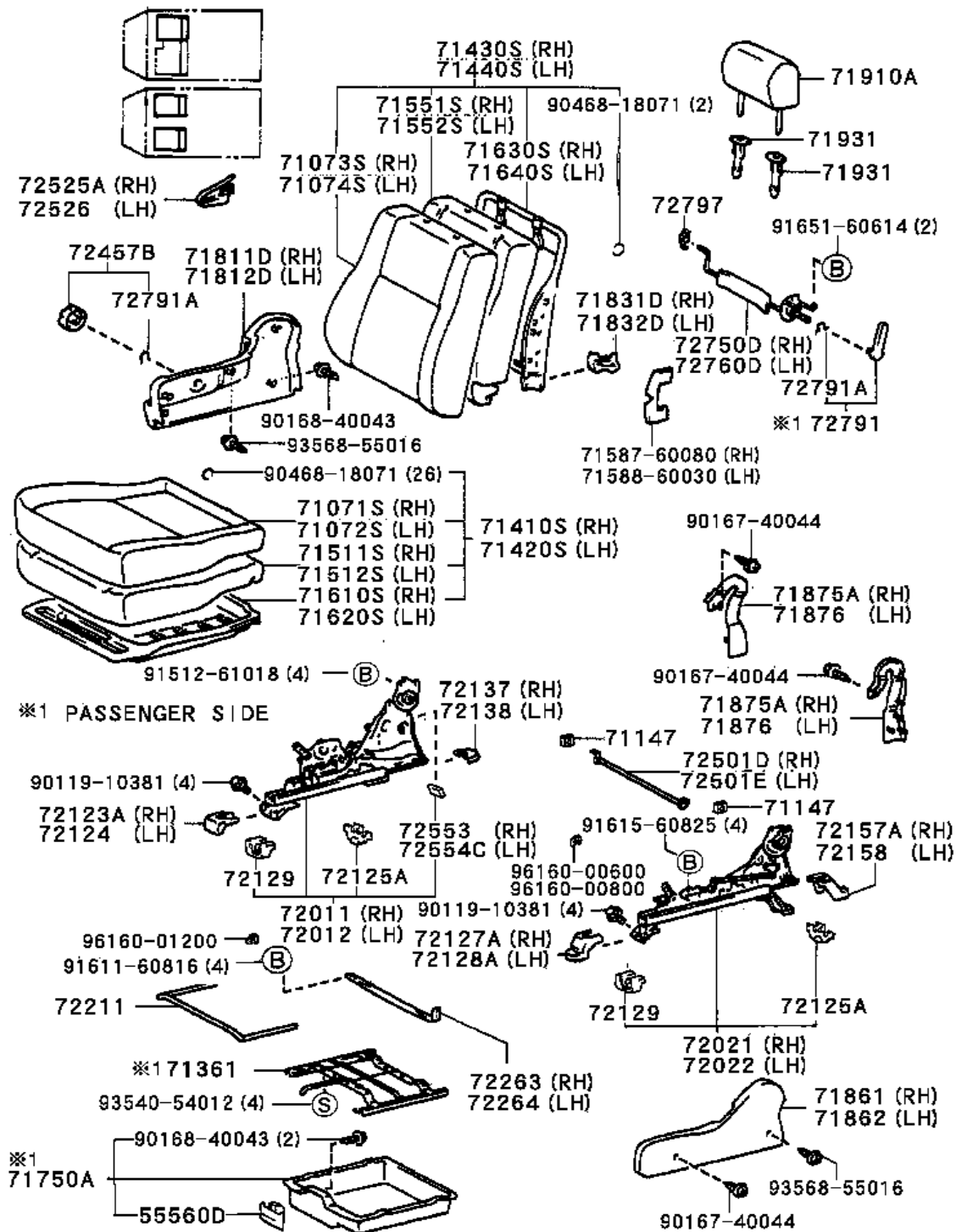


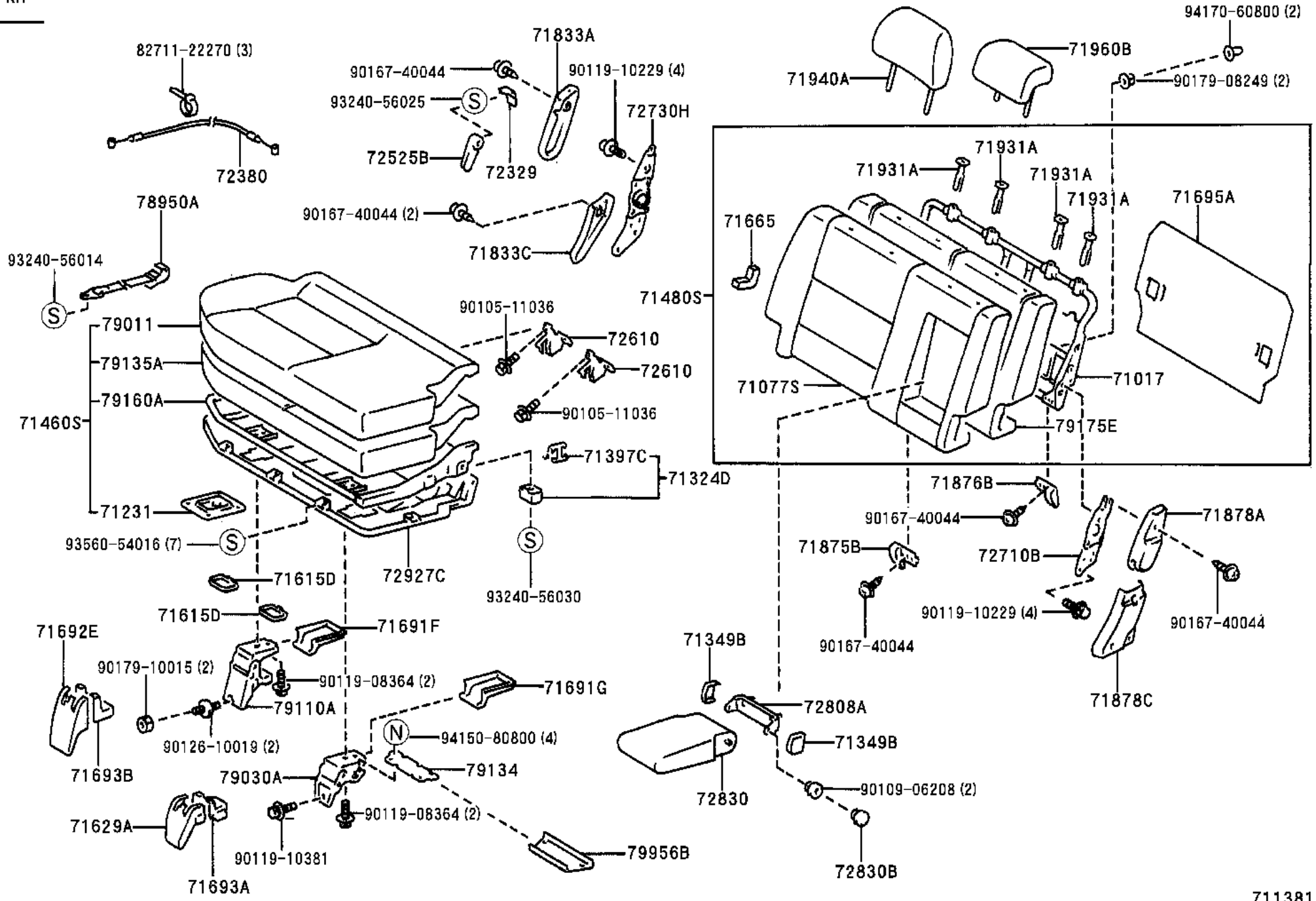


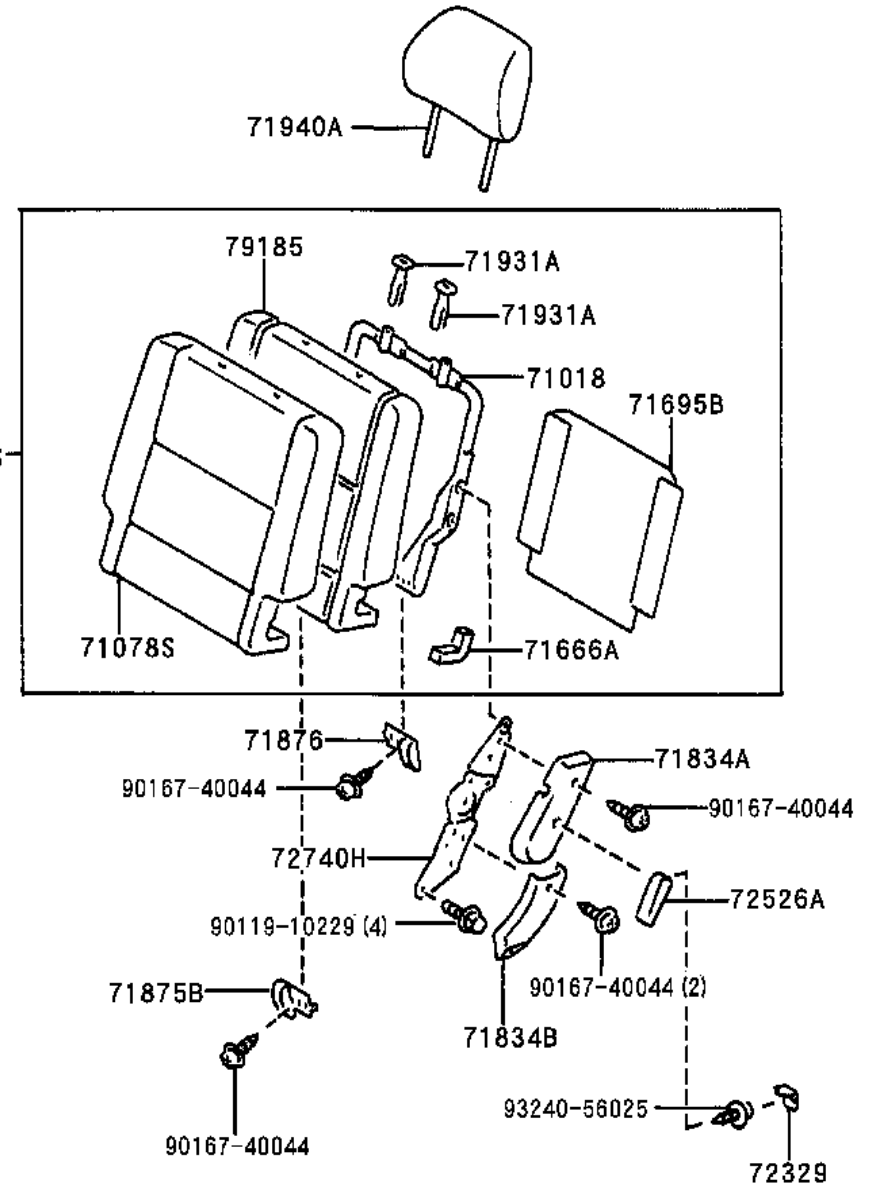
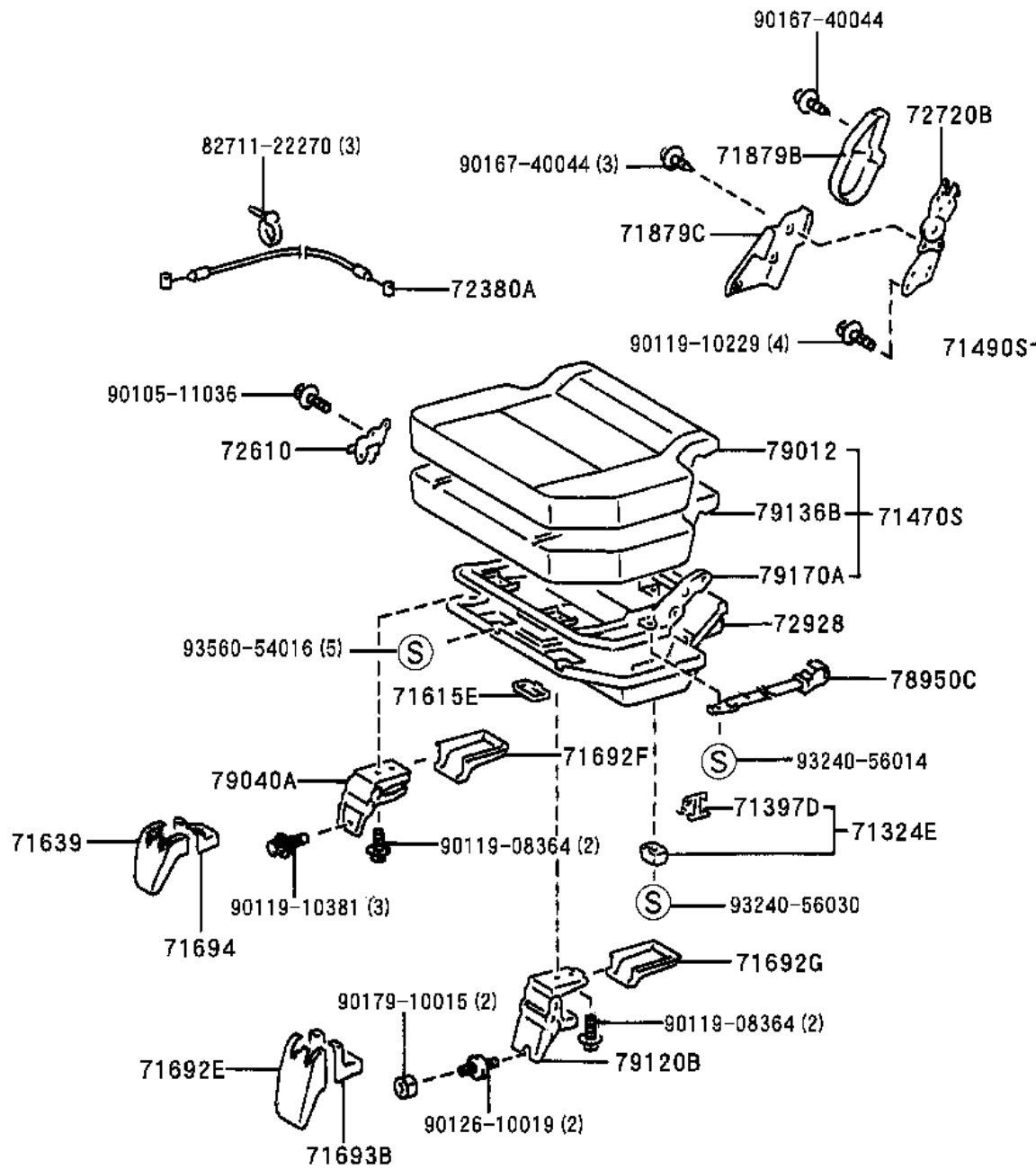


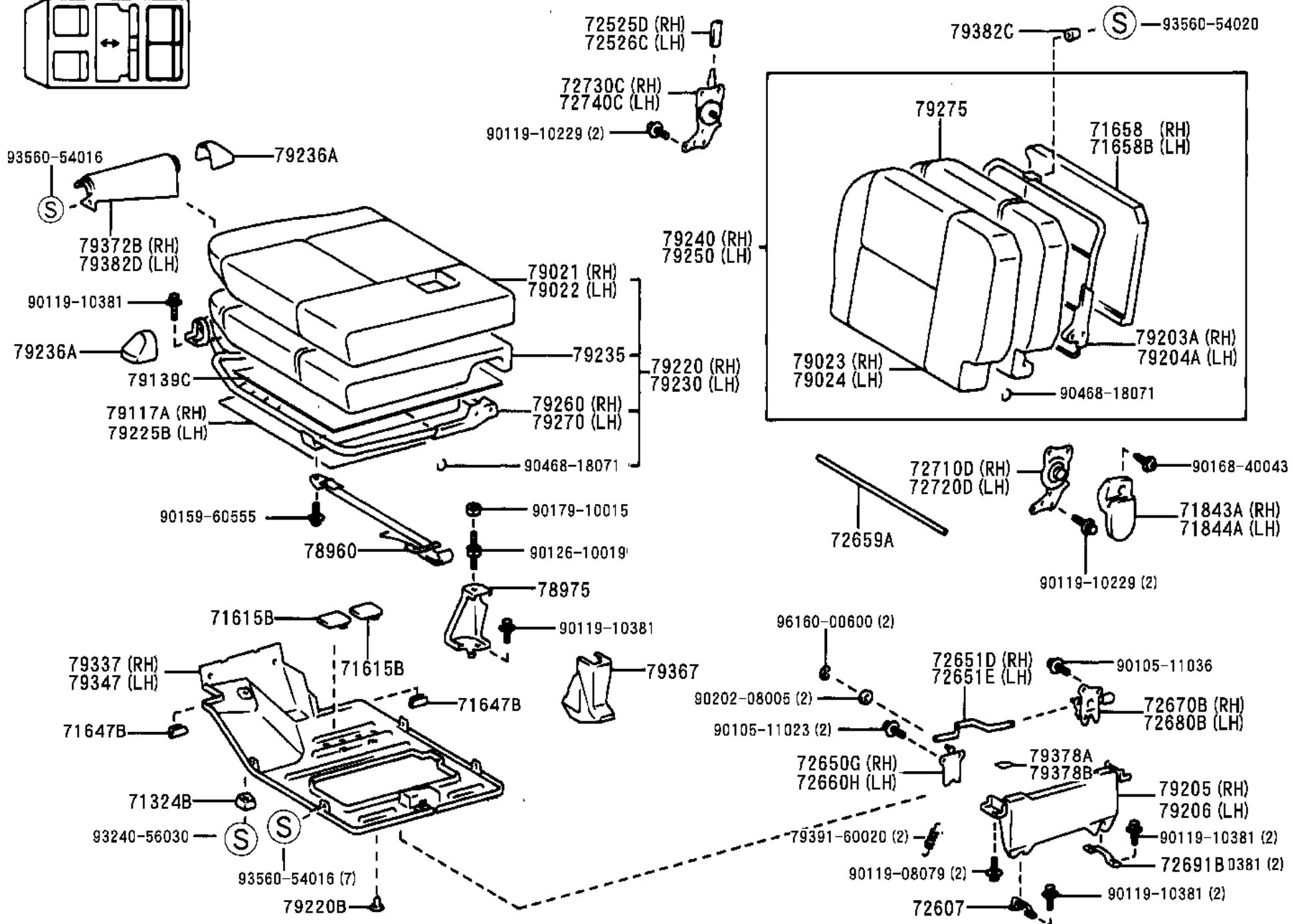
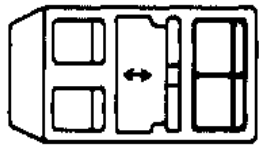
- *1 (-9612)
 *2 (9612-)
 *3 (-9906)

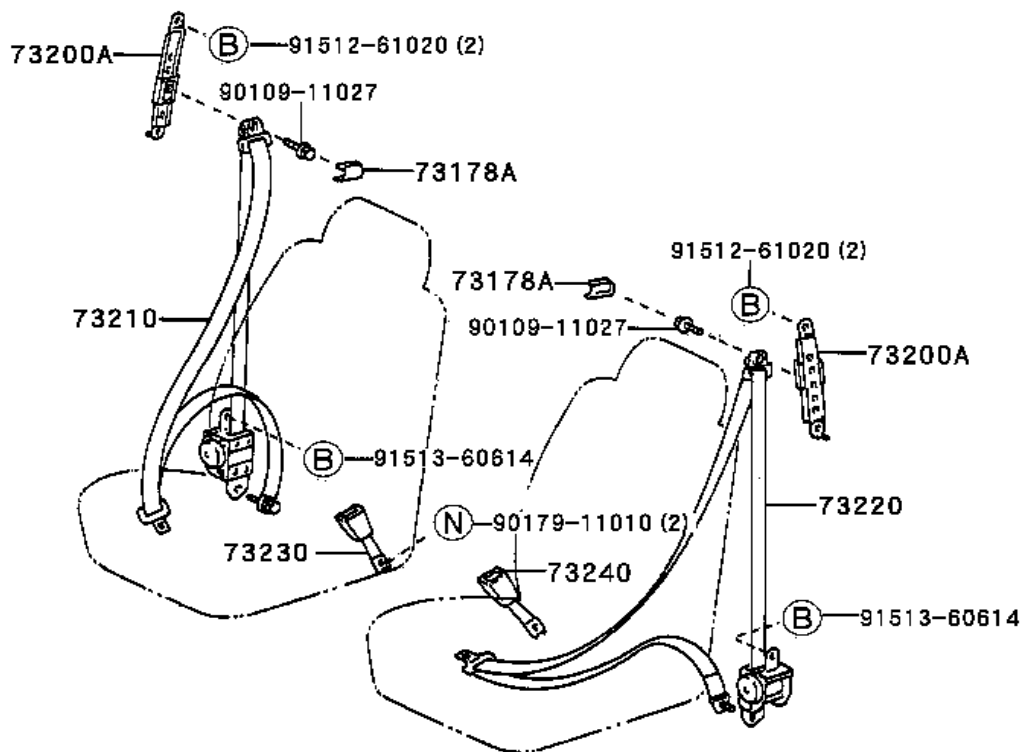




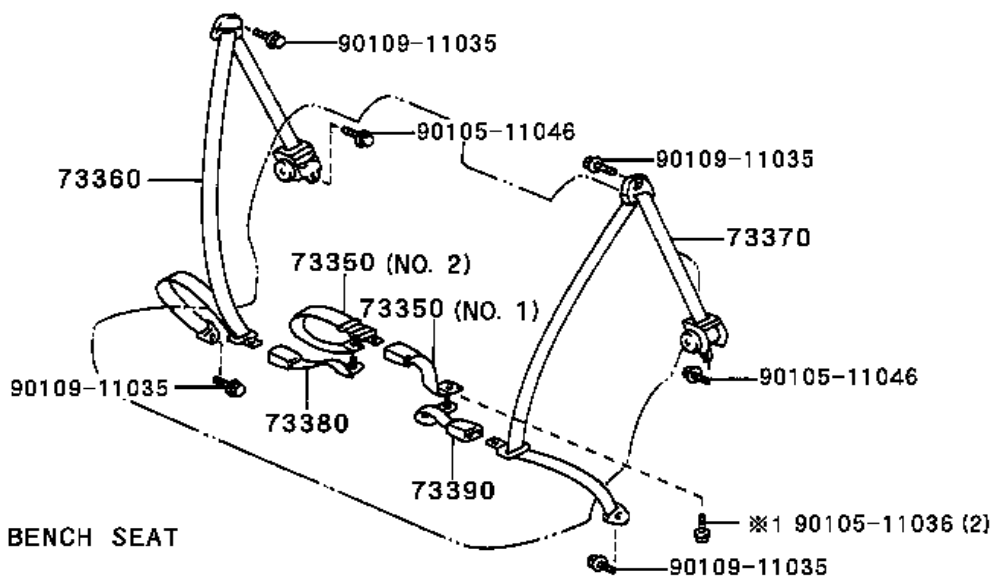




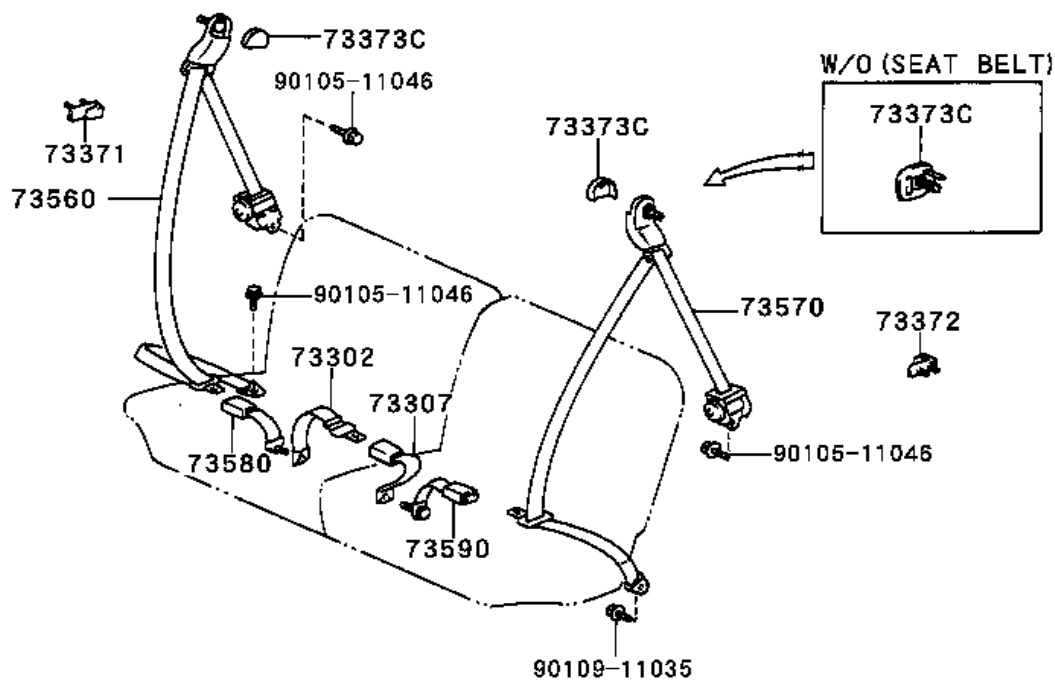


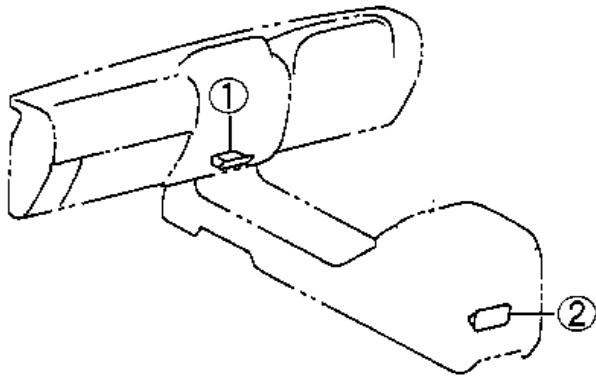


REAR NO. 1 SEAT



REAR NO. 2 SEAT





①

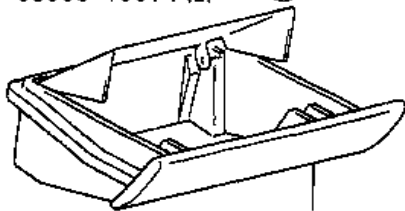
②

74104A

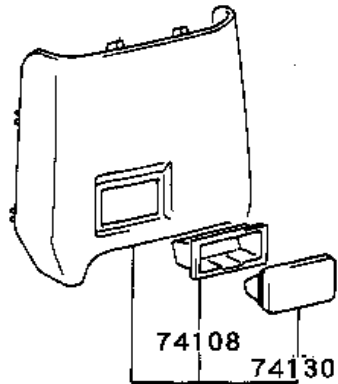


93560-15014 (2)

Ⓢ



74102B



74108

74130

REFER TO
FIG 58-55
(PNC 58917A)

